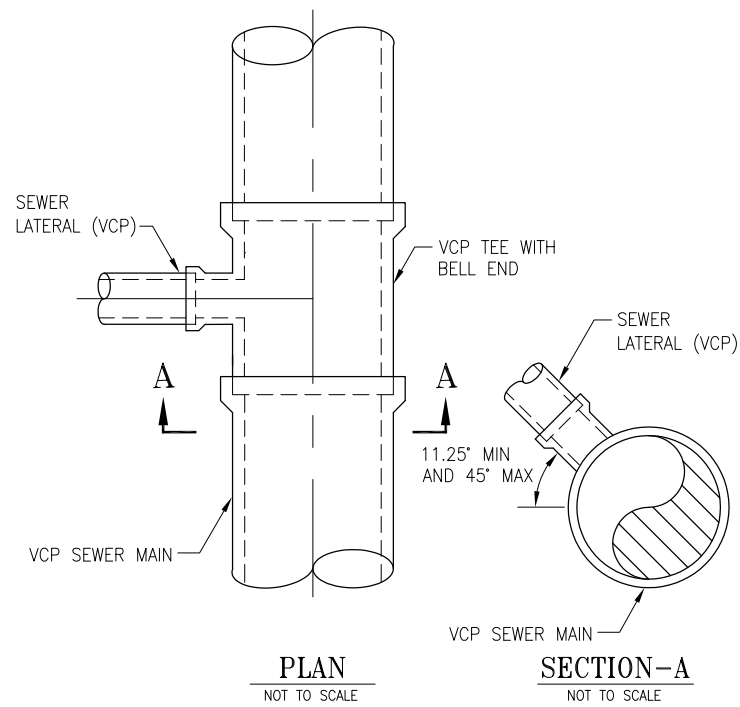


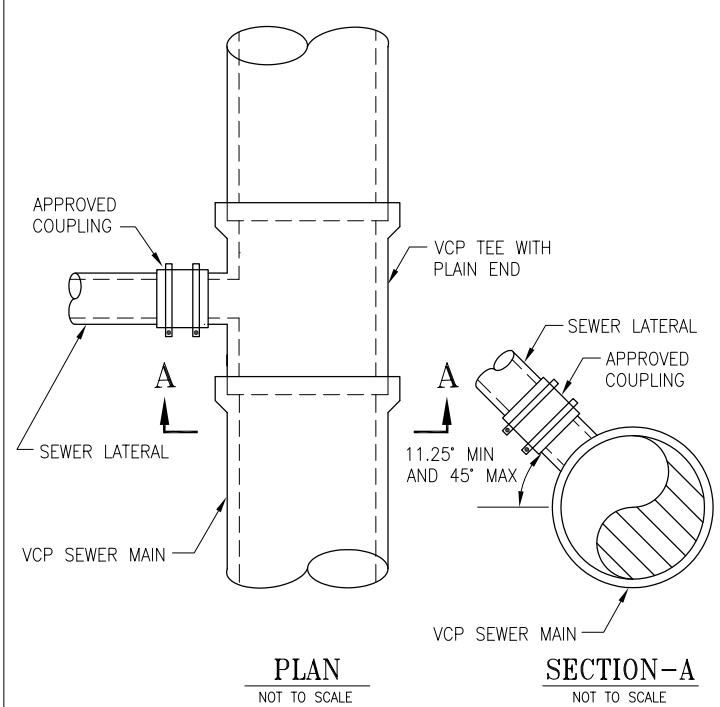
\\woodwardclark.com\net\share\Projects\RM\CSF\0092-SFPUC\0002-007-SFPUC-WW-CS-955818-Task Order\TO 10 - Sewer Laterals Program Phase 1B - Project Work\Task 4 - Revised Standards and Details Completion\Final Submittal\CAD\RevisedSewer Config Figures.dwg



**TYPE 1 - VCP TEE BELL END CONNECTION
(NEW SEWER MAIN CONSTRUCTION)**

NOT TO SCALE

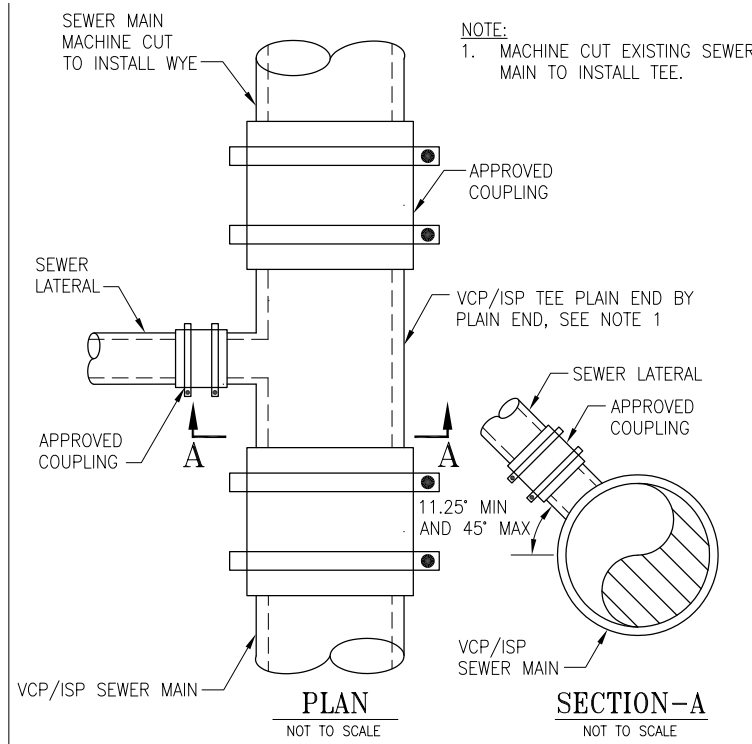
1



**TYPE 2 - VCP TEE PLAIN END CONNECTION
(NEW SEWER MAIN CONSTRUCTION)**

NOT TO SCALE

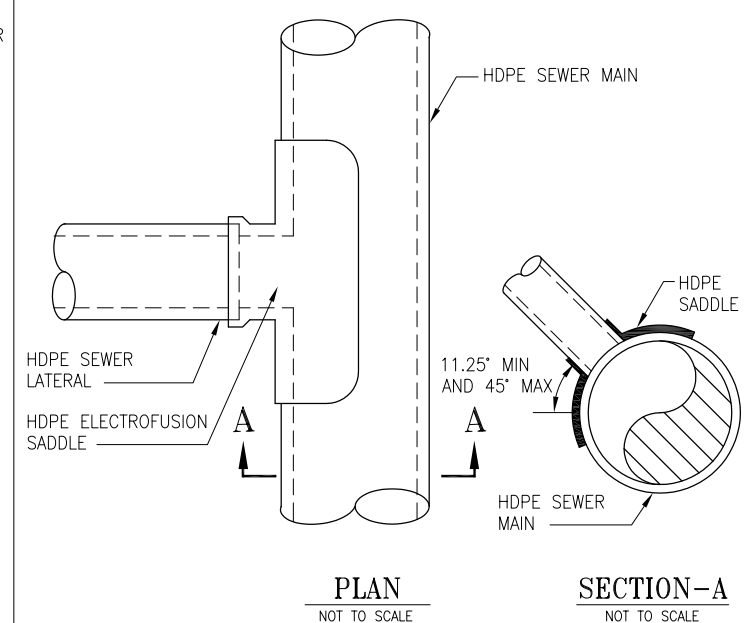
2



**TYPE 3 - VCP/ISP TEE W/APPROVED COUPLINGS
(CONNECTION TO EXISTING SEWER MAIN)**

NOT TO SCALE

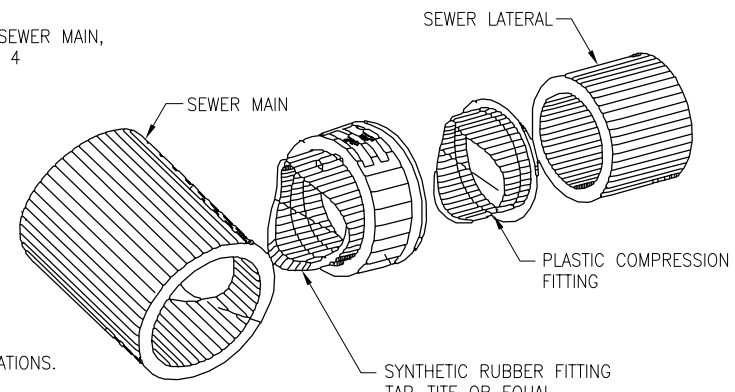
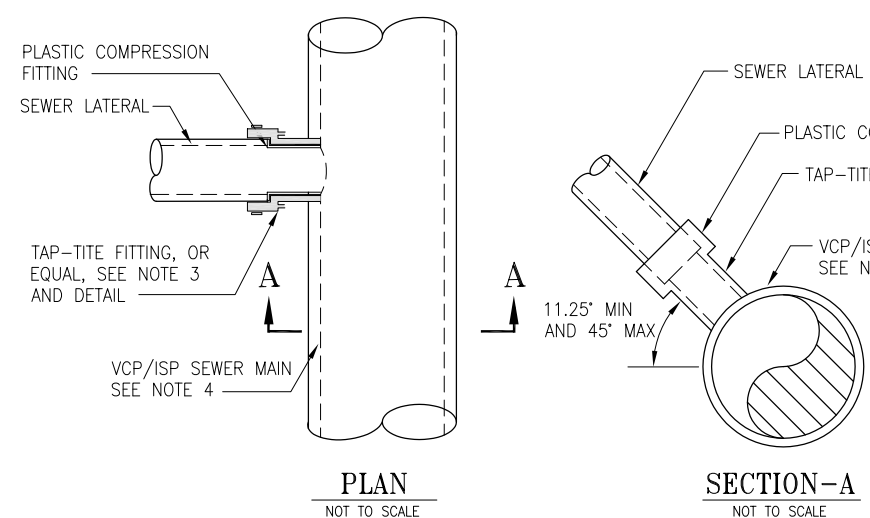
3



**TYPE 4 - HDPE SADDLE
(CONNECTION TO NEW OR EXISTING SEWER MAIN)**

NOT TO SCALE

4



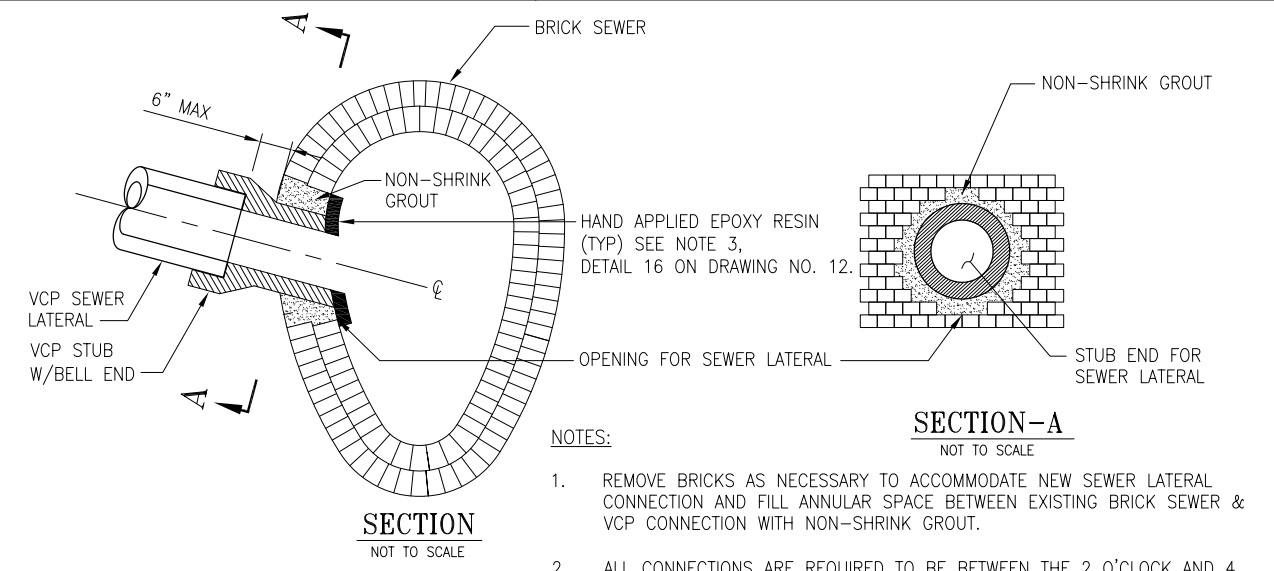
DETAIL

NOT TO SCALE

**TYPE 5 - TAP-TITE FITTING
(CONNECTION TO EXISTING SEWER MAIN)**

NOT TO SCALE

5



**TYPE 6 - VCP BELL STUB CONNECTION
(CONNECTION TO NEW OR EXISTING SEWER MAIN)**

NOT TO SCALE

6

APPLICABLE TO BOTH
COMBINED AND SANITARY
SEWER SYSTEMS

- NOTES:**
- CORE DRILL HOLE ON SEWER MAIN AND INSTALL FITTING, PER MANUFACTURER'S MIN RECOMMENDATIONS.
 - TAP-TITE STYLE FITTING OR EQUAL CAN BE USED IF SEWER MAIN IS AT LEAST DOUBLE THE DIAMETER OF SEWER LATERAL.
 - PROVIDE BUSHINGS AND/OR APPROVED COUPLING AS REQUIRED FOR SEWER LATERAL CONNECTION.
 - FITTING SHALL BE TRIMMED NEAT WITH INTERIOR SURFACE OF SEWER MAIN PIPE.

- NOTES:**
- REMOVE BRICKS AS NECESSARY TO ACCOMMODATE NEW SEWER LATERAL CONNECTION AND FILL ANNULAR SPACE BETWEEN EXISTING BRICK SEWER & VCP CONNECTION WITH NON-SHRINK GROUT.
 - ALL CONNECTIONS ARE REQUIRED TO BE BETWEEN THE 2 O'CLOCK AND 4 O'CLOCK OR 8 O'CLOCK AND 10 O'CLOCK POSITION ON THE SEWER MAIN. IN NO CASE SHALL CONNECTION BE WITHIN 18 INCHES OF THE INVERT.



**SEWER LATERAL
STANDARD DETAILS**
SAN FRANCISCO PUBLIC UTILITIES COMMISSION

DATE MAY 2017	REVISION 1.0	REVISED
------------------	-----------------	---------

SEWER LATERAL CONNECTION TYPES 1-6