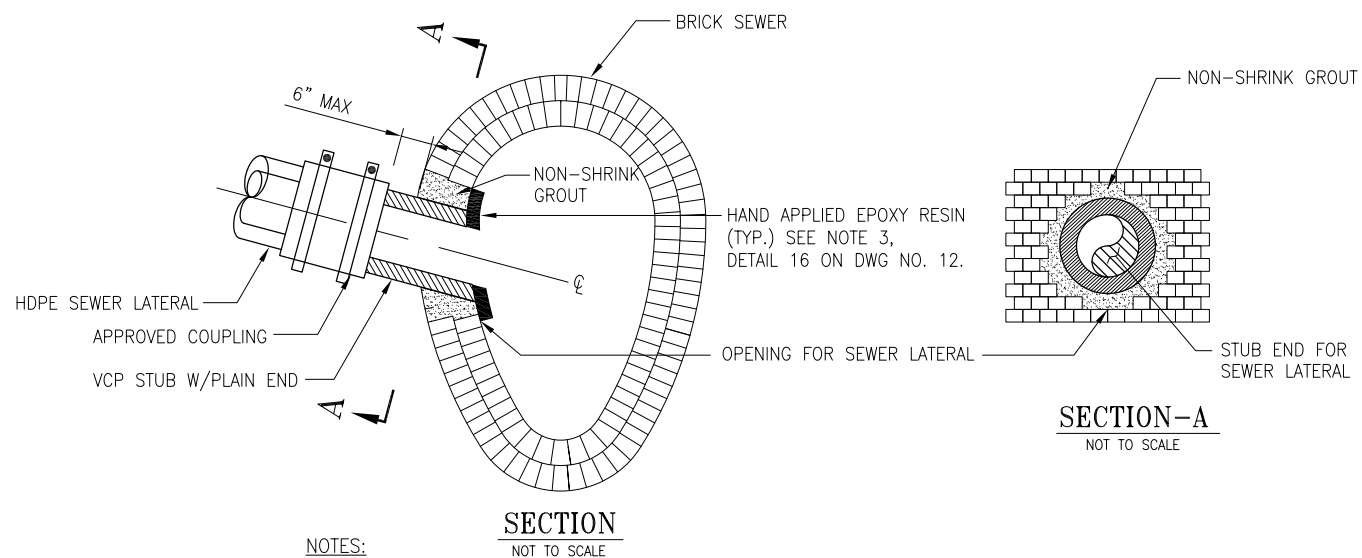


\\woodwardclm\mnt\shared\Projects\RM\CSF0092-SFPUC\002-007-SFPUC-WW-CS-955B1B-Task Order\10-Sewer Laterals Program Phase 1B-Project Work\Task4- Revised Standards and Details Completion\Final Submittal\CAD\RevisedSewer Config Figures.dwg

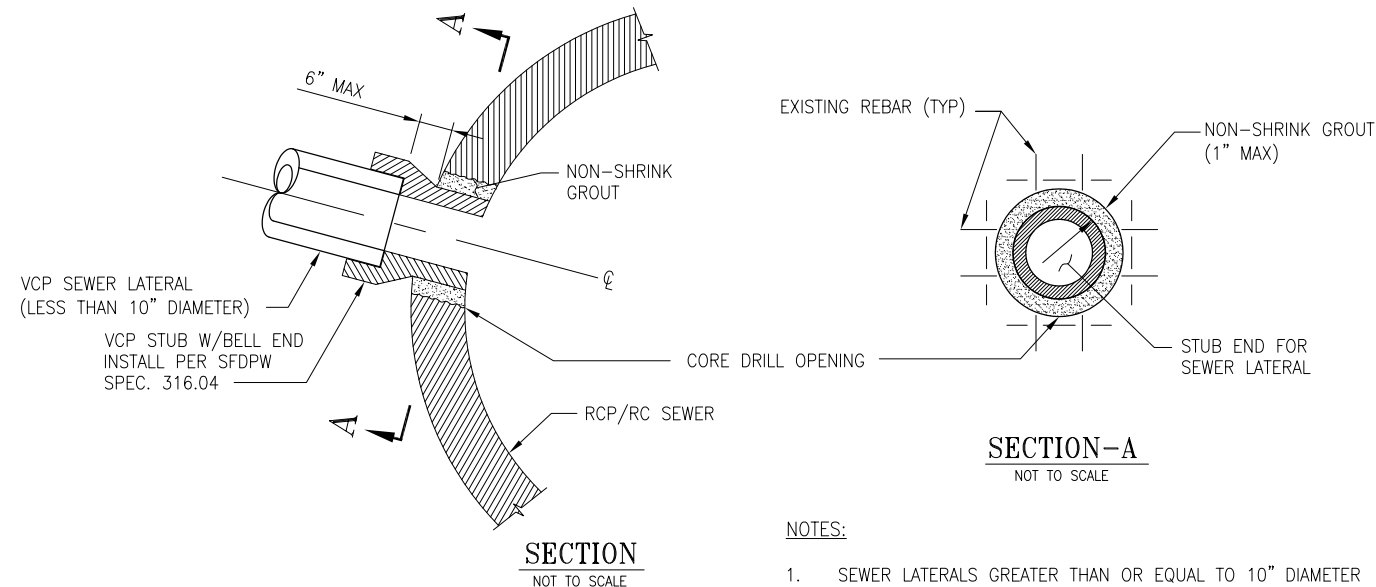


**NOTES:**

1. REMOVE BRICKS AS NECESSARY TO ACCOMMODATE NEW SEWER LATERAL CONNECTION AND FILL ANNULAR SPACE BETWEEN EXISTING BRICK SEWER & VCP CONNECTION WITH NON-SHRINK GROUT.
2. ALL CONNECTIONS ARE REQUIRED TO BE BETWEEN THE 2 O'CLOCK AND 4 O'CLOCK OR 8 O'CLOCK AND 10 O'CLOCK POSITION ON THE SEWER MAIN. IN NO CASE SHALL CONNECTION BE WITHIN 18 INCHES OF THE INVERT.

**TYPE 7 - VCP PLAIN END STUB AND APPROVED COUPLING CONNECTION (CONNECTION TO NEW OR EXISTING SEWER MAIN)**  
NOT TO SCALE

7

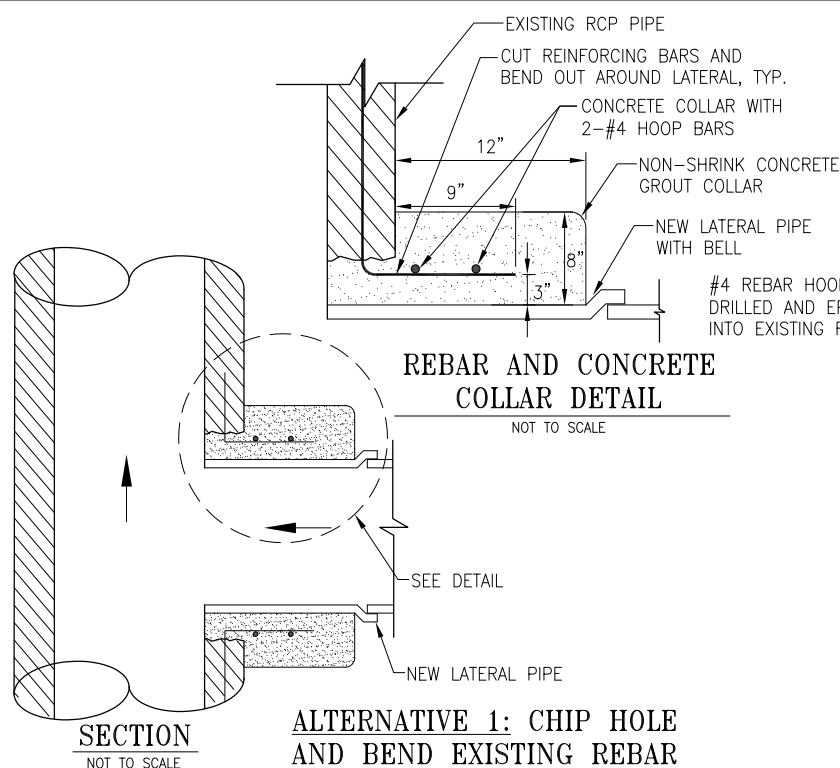


**NOTES:**

1. SEWER LATERALS GREATER THAN OR EQUAL TO 10" DIAMETER CONNECTING DIRECTLY TO SEWER MAIN SHALL USE TYPE 9 - VCP CONCRETE COLLAR CONNECTION.
2. ALL CONNECTIONS ARE REQUIRED TO BE BETWEEN THE 9 O'CLOCK AND 11 O'CLOCK POSITION ON THE SEWER MAIN.

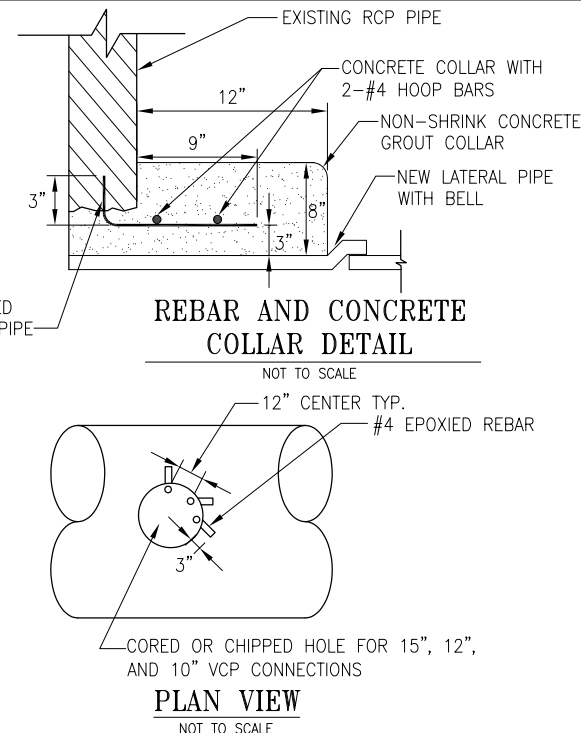
**TYPE 8 - VCP BELL STUB CONNECTION (CONNECTION TO NEW OR EXISTING RCP/RC SEWER MAIN)**  
NOT TO SCALE

8



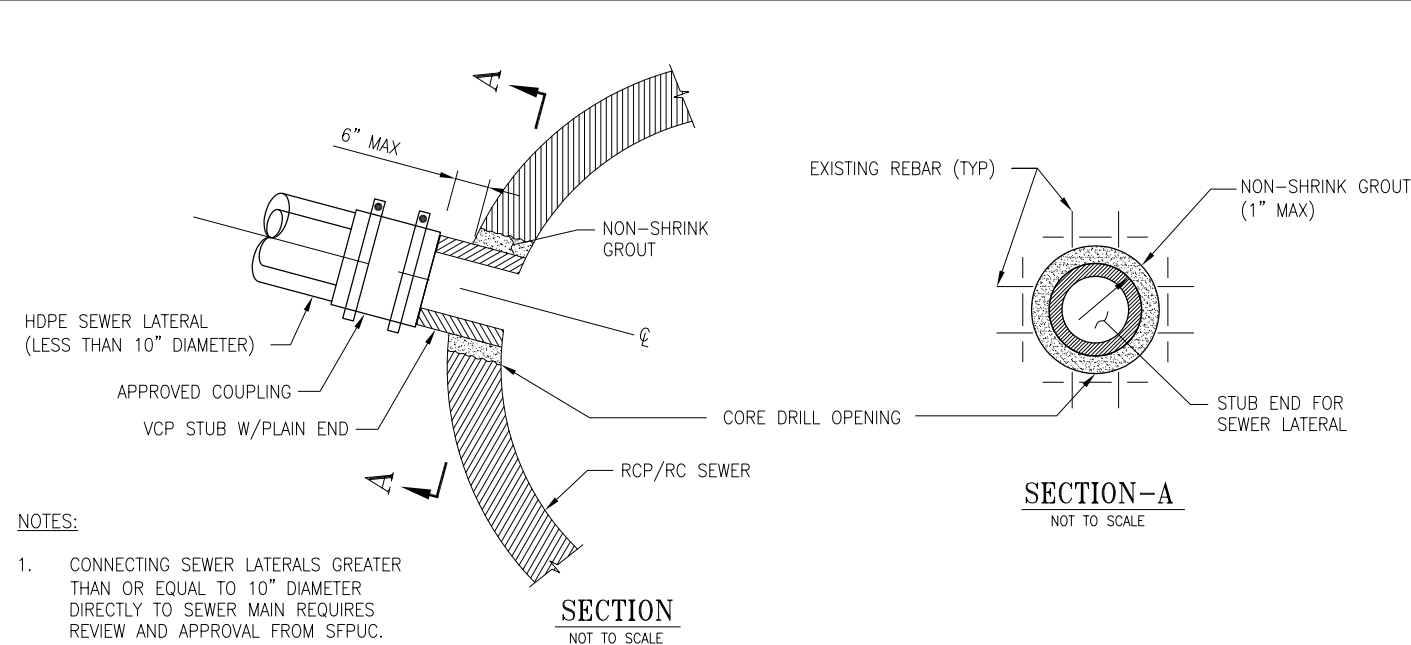
**ALTERNATIVE 1: CHIP HOLE AND BEND EXISTING REBAR**

**TYPE 9 - VCP CONCRETE COLLAR CONNECTION (CONNECTION TO NEW OR EXISTING SEWER MAIN)**  
NOT TO SCALE



**ALTERNATIVE 2: CORE OR CHIP HOLE AND ADD REBAR HOOKS**

9



**NOTES:**

1. CONNECTING SEWER LATERALS GREATER THAN OR EQUAL TO 10" DIAMETER DIRECTLY TO SEWER MAIN REQUIRES REVIEW AND APPROVAL FROM SFPUC.
2. ALL CONNECTIONS ARE REQUIRED TO BE BETWEEN THE 9 O'CLOCK AND 11 O'CLOCK POSITION ON THE SEWER MAIN.

**TYPE 10 - VCP PLAIN END STUB AND APPROVED COUPLING CONNECTION (CONNECTION TO NEW OR EXISTING RCP/RC SEWER MAIN)**  
NOT TO SCALE

10

APPLICABLE TO BOTH COMBINED AND SANITARY SEWER SYSTEMS



**SEWER LATERAL STANDARD DETAILS**  
SAN FRANCISCO PUBLIC UTILITIES COMMISSION

DATE	MAY 2017	REVISION	1.0	REVISED
------	----------	----------	-----	---------

**SEWER LATERAL CONNECTION TYPES 7-10**

DWG NO.

12