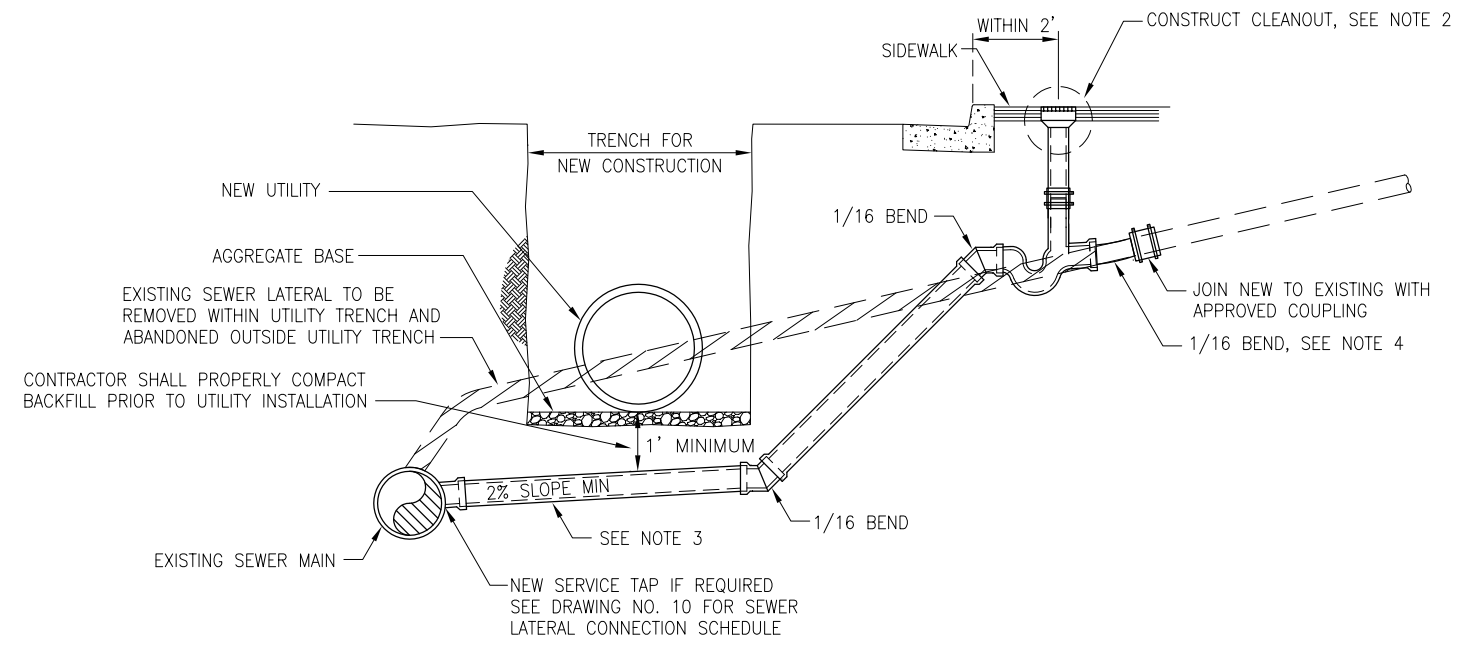


\\woodwardclark.com\nets\shared\Projects\RM\CSF\002-SFPUC\002-007-SFPUC-WW-CS-955BIB-Task Order\TO 10 - Sewer Laterals Program Phase 1B- Project Work\Task- Revised Standards and Details Completion\Final Submittal\CAD\RevisedSewer Config Figures.dwg



- NOTES:**
1. UTILITY LOCATION SHALL BE DESIGNED KEEPING SEWER LATERALS IN MIND. THE RELOCATION OF SEWER FACILITIES SHALL BE MINIMIZED.
 2. FOR CLEANOUT IN COMBINED SEWER SYSTEM AND SANITARY SEWER SYSTEM, SEE DRAWINGS NO. 5 THROUGH 8.
 3. JOINTS ON RELOCATED SEWER LATERAL SHALL NOT BE ALLOWED WITHIN THE LIMITS OF THE TRENCH REQUIRED FOR CONSTRUCTION OF THE NEW CROSSING UTILITY. IF JOINTS MUST BE USED ON THE LATERAL WITHIN THE LIMITS OF THE NEW UTILITY TRENCH SECTION, THE RELOCATED LATERAL SHALL BE ENCASED IN CONCRETE.
 4. ALTERNATIVELY, CONTRACTOR MAY DEFLECT JOINT WITHIN THE MANUFACTURER'S ACCEPTED TOLERANCES.

**EXISTING SEWER LATERAL RELOCATION
BELOW NEW UTILITY CONSTRUCTION** 1
NOT TO SCALE

APPLICABLE TO BOTH
COMBINED AND SANITARY
SEWER SYSTEMS



**SEWER LATERAL
STANDARD DETAILS**
SAN FRANCISCO PUBLIC UTILITIES COMMISSION

DATE MAY 2017	REVISION 1.0	REVISED
------------------	-----------------	---------

SEWER LATERAL RELOCATION DETAIL 1