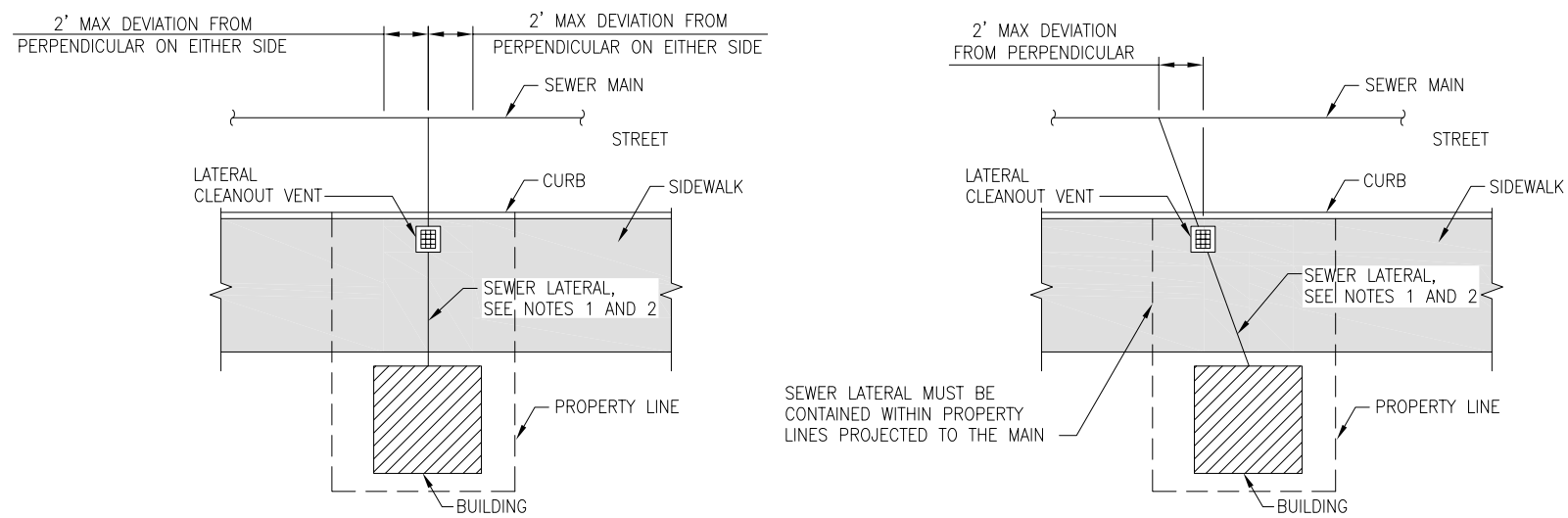
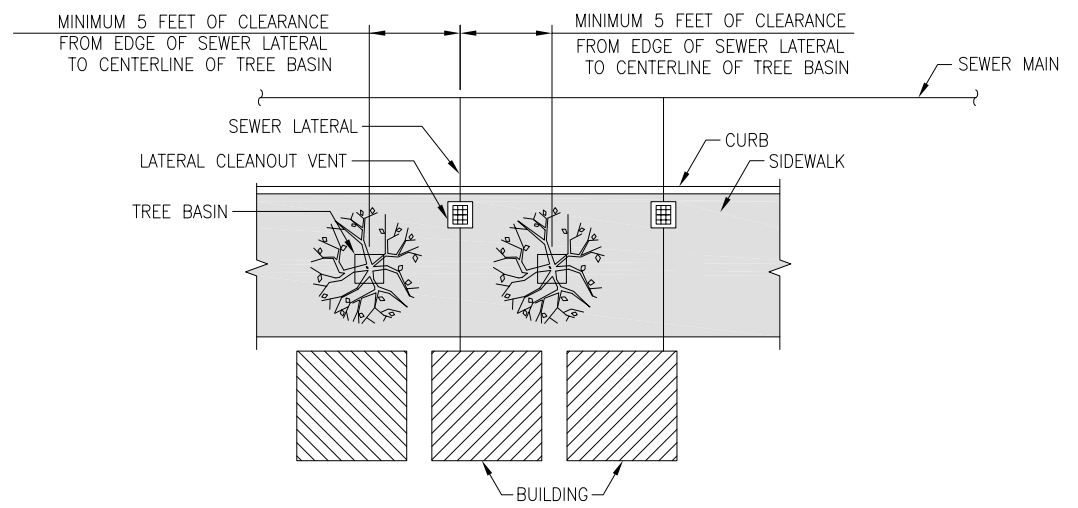


\\woodwardclark.com\nets\shared\Projects\RM\CS\F0002-SFPUC\WW\CS-955B1B_Task Order\TO 10 - Sewer Laterals Program Phase 1B - Project Work\Task6- Revised Standards and Details Completion\Final Submittal\CAD\RevisedSewer Config Figures.dwg



- NOTES:**
1. SEWER LATERAL ALIGNMENT MUST BE PERPENDICULAR TO THE SEWER MAIN AND CONTAINED WITHIN PROPERTY LINES PROJECTED TO THE SEWER MAIN, UNLESS OTHERWISE APPROVED BY SFPUC.
 2. A MAXIMUM 2 FOOT DEVIATION IS ALLOWED ON EITHER SIDE OF THEORETICAL PERPENDICULAR ALIGNMENT.

**ALLOWABLE SEWER LATERAL ALIGNMENT
DEVIATION FROM PERPENDICULAR** 1
NOT TO SCALE



- NOTE:**
1. MINIMUM CLEARANCE REQUIREMENTS PER SFPUC ORDER NO. 169,946 – SIDEWALK LANDSCAPING GUIDELINES.

**MINIMUM CLEARANCE BETWEEN TREE AND
SEWER LATERAL ALIGNMENT IN PUBLIC RIGHT-OF-WAY** 2
NOT TO SCALE

APPLICABLE TO BOTH
COMBINED AND SANITARY
SEWER SYSTEMS



**SEWER LATERAL
STANDARD DETAILS**
SAN FRANCISCO PUBLIC UTILITIES COMMISSION

DATE MAY 2017	REVISION 1.0	REVISED
------------------	-----------------	---------

TYPICAL SEWER LATERAL CONSTRUCTION - DETAILS