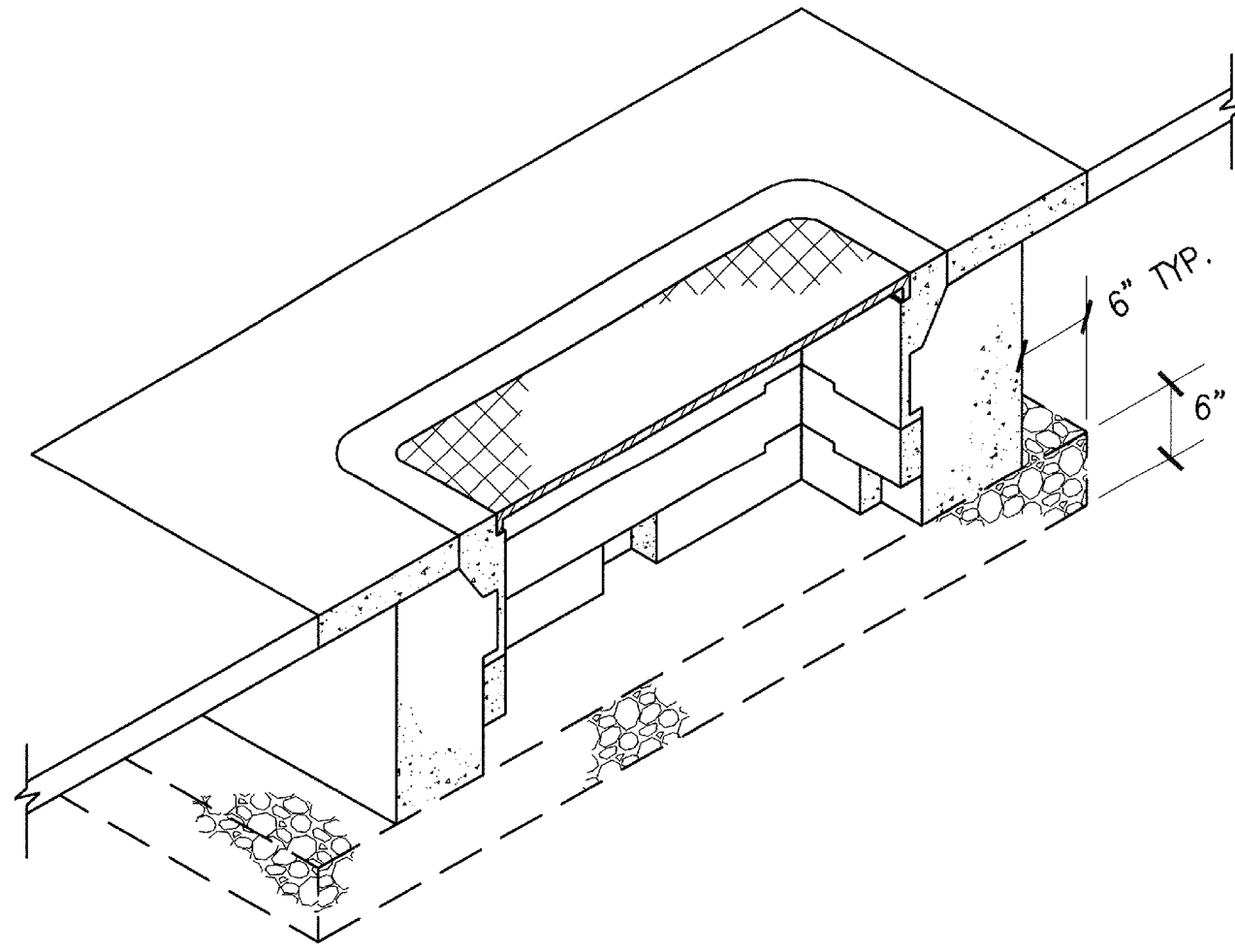


PLAN



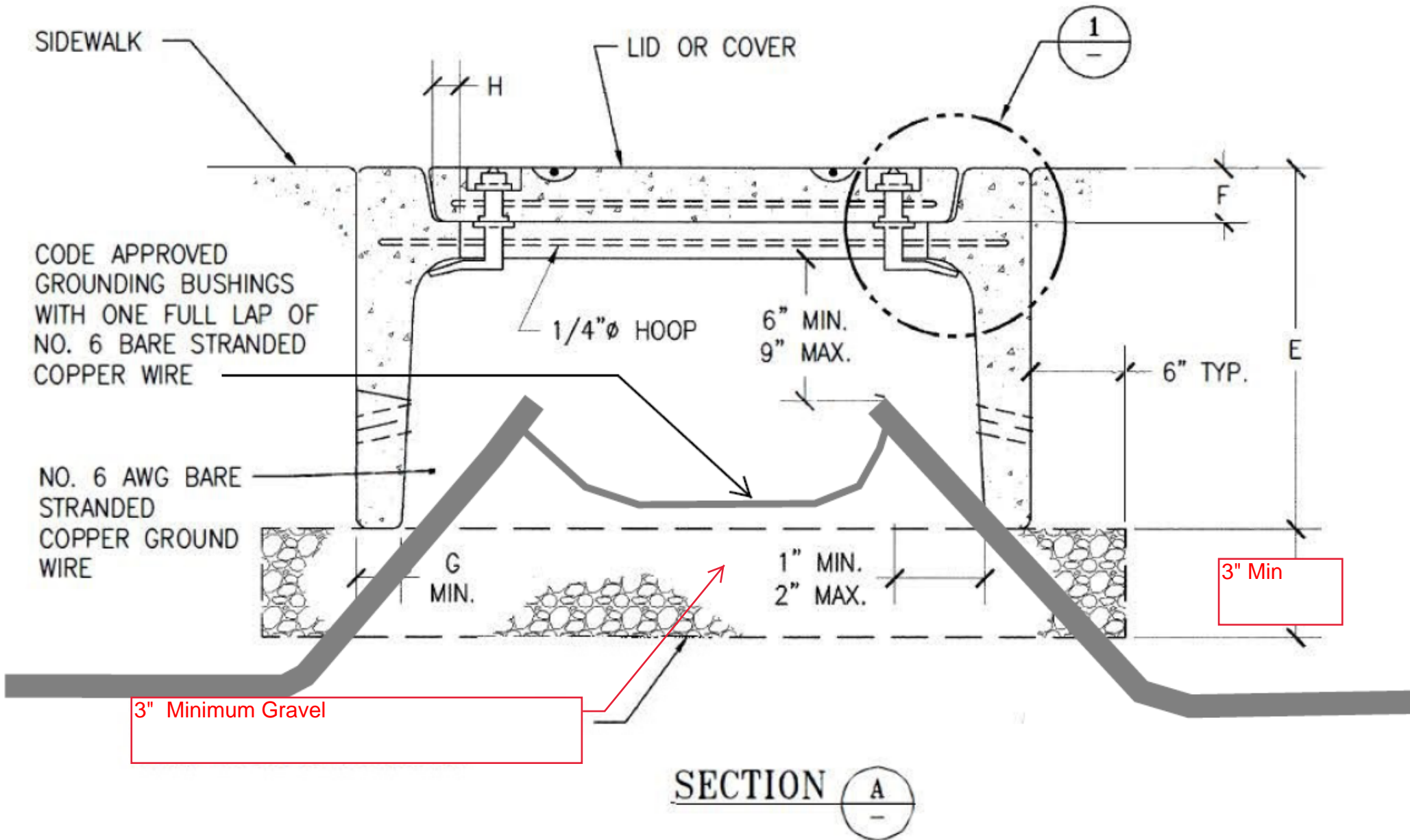
TYPE	DIMENSIONS (INCHES)									REMARKS
	A	B	C	D	E	F	G	H		
								MIN.	MAX.	
N16	20 3/4	19 1/2	10 5/8	9 1/4	12	2	2 7/8	5/8	3/4	FURNISH WITH LID OR COVER, AS APPLICABLE. SEE SHEET NOTES.
N36	30 1/2	29	17 1/2	16 1/4	12	2	4 3/4	5/8	7/8	FURNISH WITH LID OR COVER, AS APPLICABLE. SEE SHEET NOTES.
B1017	20	18 1/4	13 3/8	11 3/8	12	2 1/2	3 7/8	5/8	7/8	FURNISH WITH LID OR COVER, AS APPLICABLE. SEE SHEET NOTES.
										FURNISH WITH THREE PIECE LID OR TWO PIECE STEEL COVER, AS APPLICABLE. SEE SHEET NOTES.

**SHEET NOTES:**

- ALL EXPOSED METALLIC PORTIONS OF THE PULL BOXES SHALL BE CONSTRUCTED WITH FERROUS MATERIALS AND SUCH MATERIALS SHALL BE HOT-DIP GALVANIZED AFTER FABRICATION.
- PULL BOXES, COVERS AND EXTENSIONS SHALL BE PRECAST REINFORCED CONCRETE. PULL BOXES SHALL HAVE ETCHED POLYETHYLENE FACE ANCHORED IN CONCRETE AND ULTRAVIOLET INHIBITOR.
- LIDS AND COVERS FURNISHED WITH PULL BOXES ENCLOSING WIRING ENERGIZED WITH VOLTAGES GREATER THAN 600 VOLTS SHALL BE PROVIDED WITH "HOLD-DOWN" BOLTS FABRICATED FROM BRASS.
- PULL BOXES PLACED IN ROADWAYS OR IN AREAS SUBJECT TO VEHICLE AND HEAVY MACHINERY TRAFFIC SHALL BE FURNISHED WITH STEEL CHECKER PLATE TRAFFIC COVERS. IN ADDITION, A 6-INCH WIDE BY 12-INCH HIGH CONCRETE RETAINING WALL SHALL BE CONSTRUCTED ALL AROUND EACH PULL BOX INSTALLED IN SUCH AREAS.
- A 12-INCH WIDE BY 3 1/2-INCH DEEP (MINIMUM) CONCRETE SLAB SHALL BE CONSTRUCTED ALL AROUND EACH PULL BOX (INCLUDING BOXES PROVIDED WITH THE 6-INCH THICK RETAINING WALL SET FORTH IN NOTE 4 ABOVE) INSTALLED IN UNPAVED OR ASPHALT CONCRETE PAVED AREAS. AREAS WITH PAVERS, STREETLIGHT BOXES MUST BE INSTALLED IN THE CENTER OF A 3-FOOT X 3-FOOT X 3 1/2 INCH DEEP (MINIMUM) CONCRETE SLAB.
- LIDS AND COVERS SHALL BE PROVIDED WITH THE FOLLOWING LEGENDS, AS APPLICABLE:

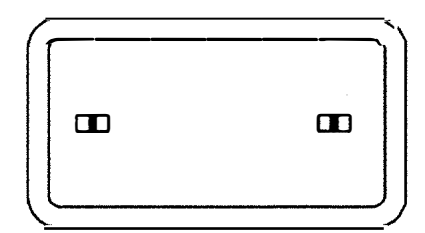
FIRST LINE	ELECTRICAL-DPW	ELECTRICAL-DPW	ELECTRICAL	TRAFFIC
SECOND LINE	120/240 VOLT	IRR SYS	R & P	SIGNALS
FIRST LINE :	ELECTRICAL-DPW	STREET LIGHTING	ELECTRICAL	D OF E
SECOND LINE:	240/480 VOLT	120/240 VOLT	HIGH VOLTAGE	

LETTERS SHALL BE 1-INCH AND MADE WITH 1/4-INCH WIDE STROKES. LETTERS INSCRIBED IN CONCRETE LIDS OR COVERS SHALL BE MADE WITH 1/8-INCH (MINIMUM) DEEP IMPRINTS. LEGENDS IN STEEL COVERS SHALL BE MADE WITH WELD BEAD LETTERS.
- PROVIDE BONDING JUMPER (3' LONG, MINIMUM) FOR STEEL COVERS TO BE BONDED TO CONDUIT.

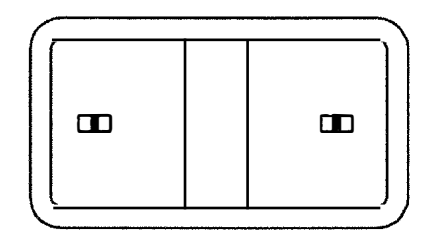


SECTION A

**TYPICAL INSTALLATION OF PULL BOX WITH 6" CONCRETE RETAINING WALL (SEE NOTE 4) AND WITH STEEL TRAFFIC COVER**

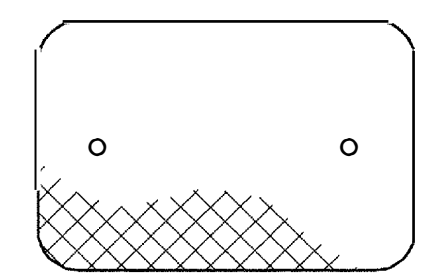


ONE PIECE

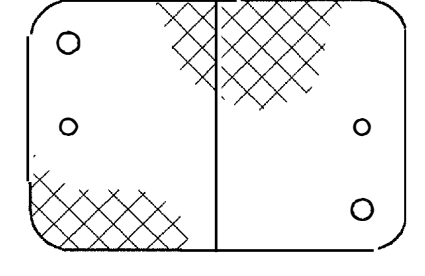


3-PIECE WITH INTERLOCKING CENTER

**LIDS**  
(CONCRETE, REINFORCED)



ONE PIECE



TWO PIECES

**COVERS**  
(STEEL, HOT-DIP GALVANIZED AFTER FABRICATION)



Use penta-head bolts for box covers

This Standard Plan was developed for use on public works projects in the City and County of San Francisco, and shall not be used without consulting a Registered Professional Engineer. The Department of Public Works reserves the right to make revisions to this Standard Plan at any time.

**PRECAST PULL BOX, COVERS AND LIDS**

NO.	DATE	DESCRIPTION	BY	APP.
TABLE OF REVISIONS				
CHECK WITH TRACING TO SEE IF YOU HAVE LATEST REVISION				

REFERENCE INFORMATION & FILE NO. OF SURVEYS



**BUREAU OF ENGINEERING**  
DEPARTMENT OF PUBLIC WORKS  
CITY AND COUNTY OF SAN FRANCISCO

REVIEWED: DATE: BC 01/2007	PLANS APPROVAL DATE: APRIL 30, 2007
DRAWN: DATE: RT 01/2007	<i>Jamarcus Doster</i> 4/27/07 SECTION MANAGER
CHECKED: DATE: TA 01/2007	<i>MW</i> 4/30/07 DEPUTY BUREAU MANAGER
	<i>Jan Chiu</i> BUREAU MANAGER

<b>STANDARD PLAN</b>	OLD FILE NO. 49,093
<b>ELECTRICAL</b>	FILE NO. 87,201
<b>PRECAST PULL BOX, COVERS AND LIDS</b>	REV. NO.

Xrefs: V:\0966\Standard Plans & Specs Update\2\_Plans\Title-Block\BCE STD Title-Block.dwg  
Dimension Scale: 40  
Model Units: Feet  
Drawing Path: V:\0966\Standard Plans & Specs Update\2\_Plans\FINAL\ELE-01.dwg, Login: carantos  
Plot Time: Fri, 27 Apr 2007 - 5:48pm  
Measurement Units are English