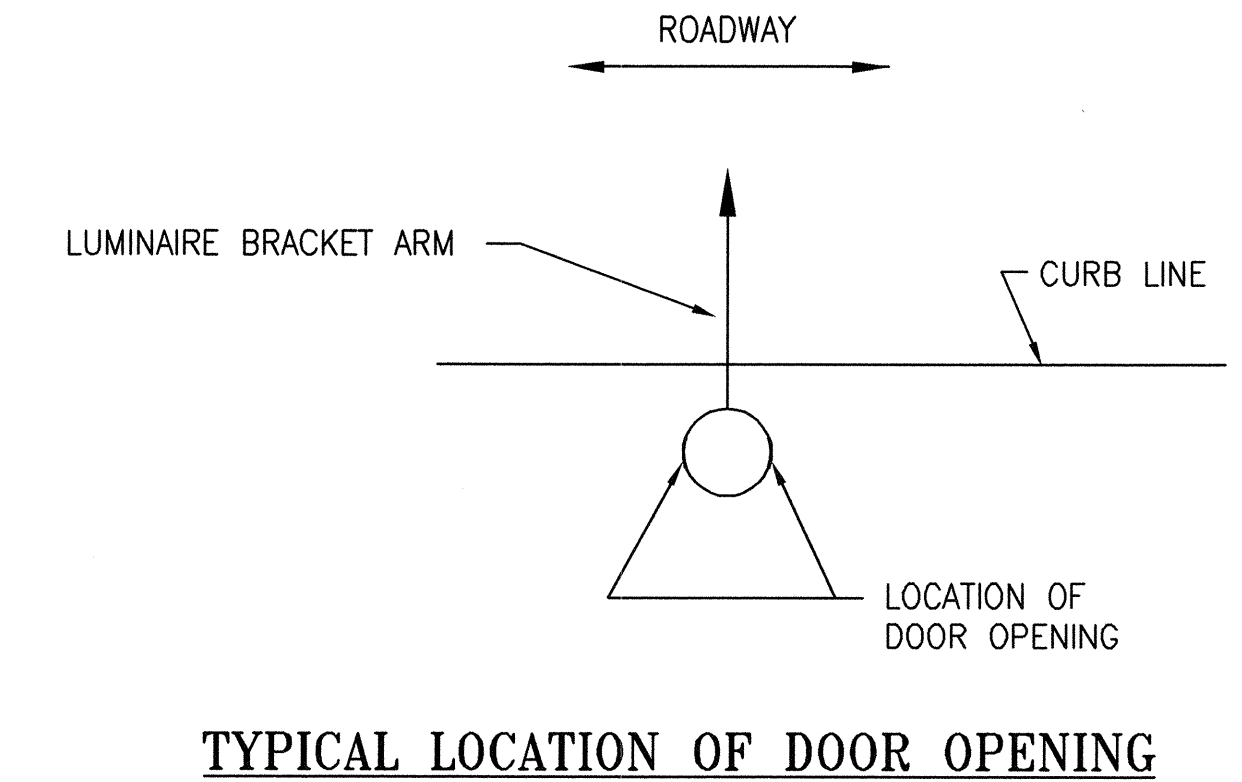
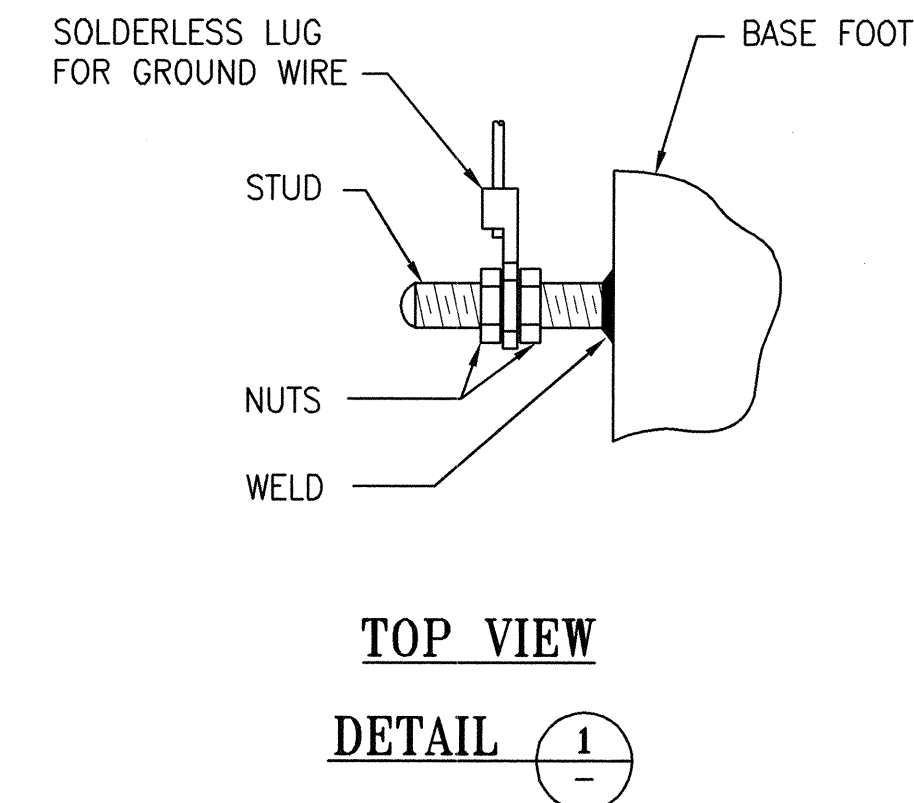
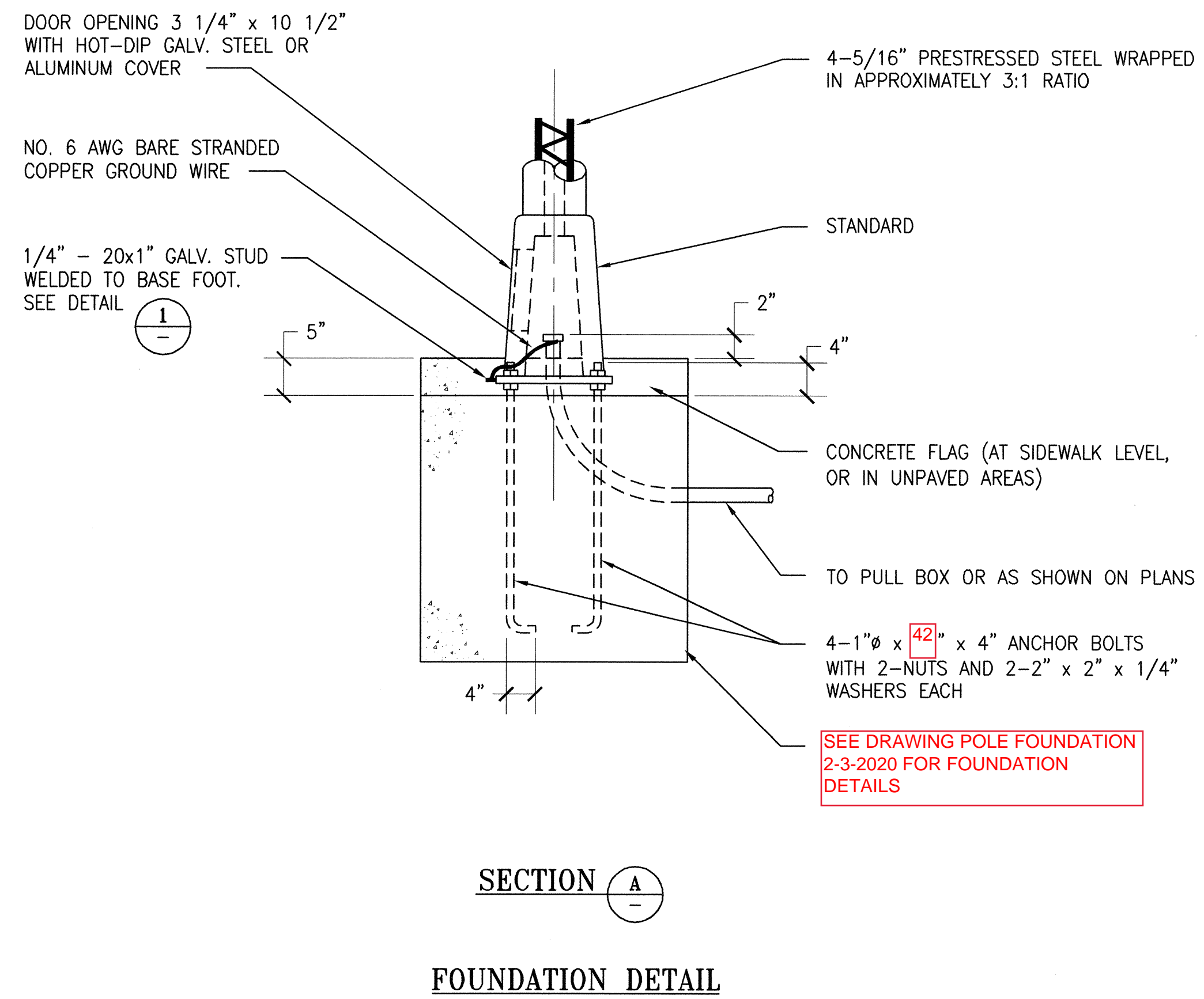
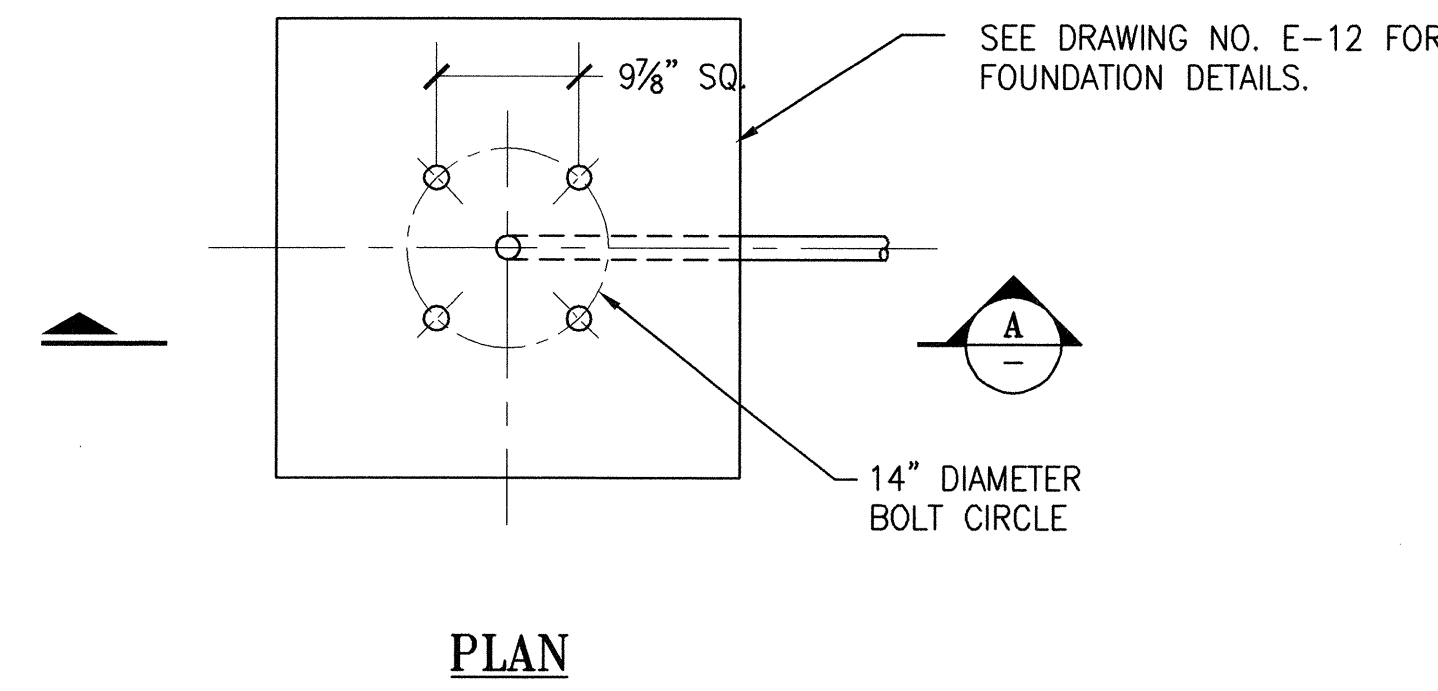
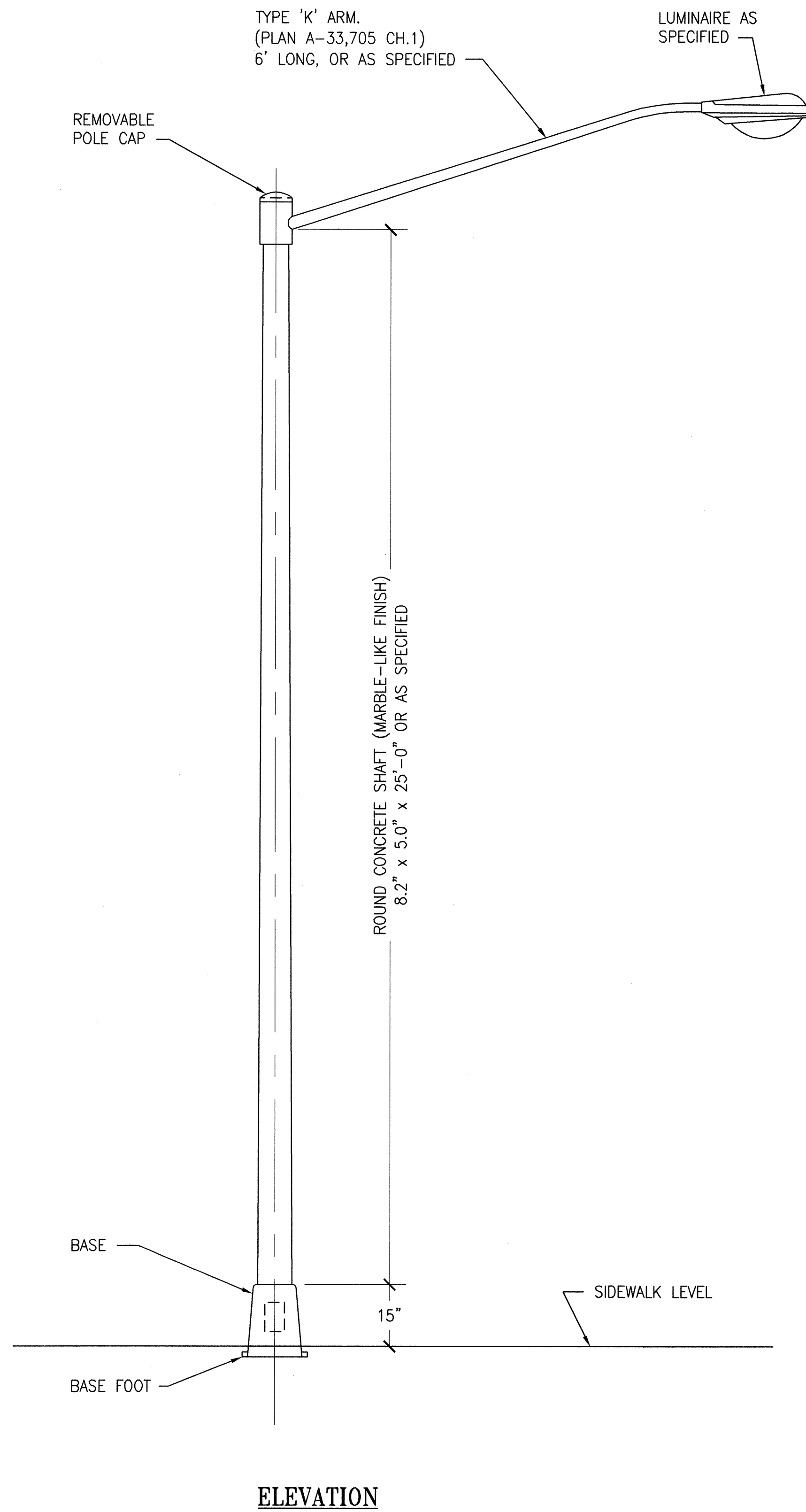


SHEET NOTES:

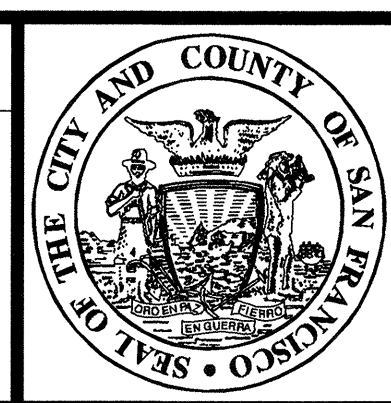
1. THE DOOR OPENING COVER SHALL HAVE SAME CONTOUR AS THAT OF THE SHAFT AND WHEN INSTALLED SHALL BLEND SYMMETRICALLY WITH THE SURFACE OF THE SHAFT.
2. THE POLE-TOP BRACKET, BRACKET ARM, POLE TOP, AND ANCHOR BOLTS WITH NUTS AND WASHERS SHALL BE STEEL, HOT-DIP GALVANIZED AFTER FABRICATION.
3. ALL SCREWS, NUTS AND WASHERS FURNISHED AND INSTALLED SHALL BE FABRICATED FROM STAINLESS STEEL; WASHERS SHALL BE OF THE SHAKEPROOF TYPE WITH INTERNAL TEETH.
4. BEFORE INSTALLING THE POLE-TOP BRACKET ARM ASSEMBLY, THE THREADED RODS PROTRUDING FROM THE TOP OF THE STANDARD SHALL BE COATED WITH GREASE CONTAINING A HIGH CONTENT OF GRAPHITE.
5. LOCATION AND ORIENTATION OF LUMINAIRE, AND NUMBER AND DIRECTION OF CONDUITS SHALL BE AS SHOWN ON PLANS OR AS SPECIFIED.
6. ON STREETS WHERE GRADES EXCEED 3 PERCENT, STANDARDS SHALL BE INSTALLED WITH THE DOOR OPENING ON THE 'DOWNHILL' SIDE OF THE STANDARD.



This Standard Plan was developed for use on public works projects in the City and County of San Francisco, and shall not be used without consulting a Registered Professional Engineer. The Department of Public Works reserves the right to make revisions to this Standard Plan at any time.

NO.	DATE	DESCRIPTION	BY	APP.
TABLE OF REVISIONS				
CHECK WITH TRACING TO SEE IF YOU HAVE LATEST REVISION				

REFERENCE INFORMATION & FILE NO. OF SURVEYS



BUREAU OF ENGINEERING
DEPARTMENT OF PUBLIC WORKS
CITY AND COUNTY OF SAN FRANCISCO

REVIEWED: BC	DATE: 01/2007	PLANS APPROVAL DATE: APRIL 30, 2007
DRAWN: RT	DATE: 01/2007	SECTION MANAGER: <i>Jawad Iwsh</i> 4/27/07
CHECKED: TA	DATE: 01/2007	DEPUTY BUREAU MANAGER: <i>ML</i> 4/30/07
		BUREAU MANAGER: <i>Jam Chi</i>

STANDARD PLAN	OLD FILE NO. 40,988
ELECTRICAL	FILE NO. 87,205
STREET LIGHT ON ROUND CONCRETE STANDARD FOR RESIDENTIAL AREAS INSTALLATION DETAILS	REV. NO.

Drawing Path: V:\09666\Standard Plans & Specs Update\2-Plans\FINAL\ELE\disciplin-elec.dwg
 Plot Time: Fri, 27 Apr 2007 - 5:45pm
 Dimension Scale: 40
 Model Units: Feet
 V:\09666\Standard Plans & Specs Update\2-Plans\FINAL\BCE STD Title Block.dwg
 V:\09666\Standard Plans & Specs Update\2-Plans\FINAL\ELE\disciplin-elec.dwg