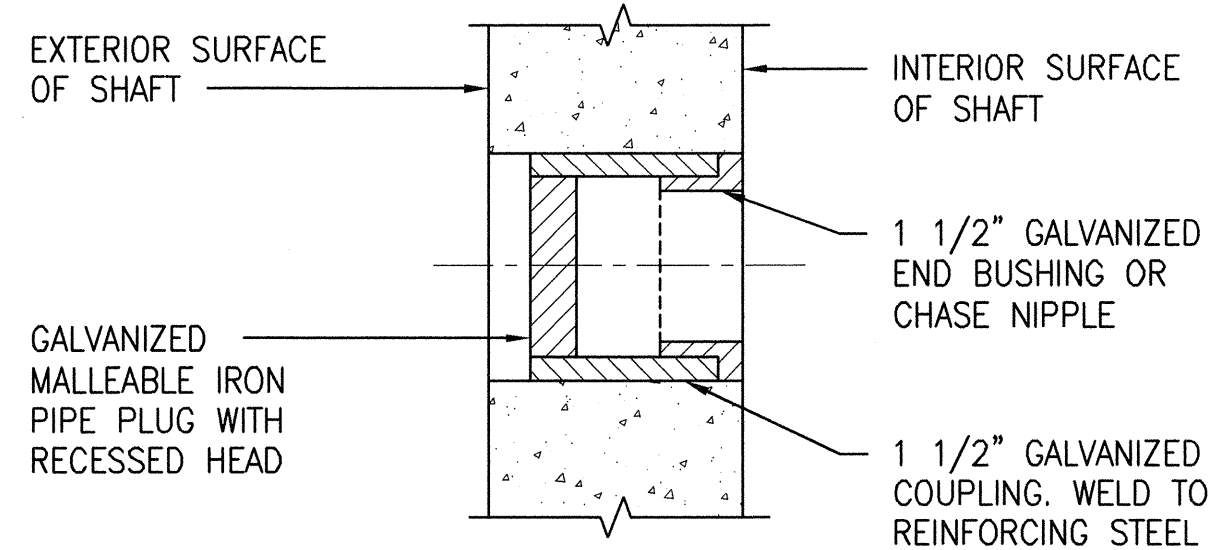
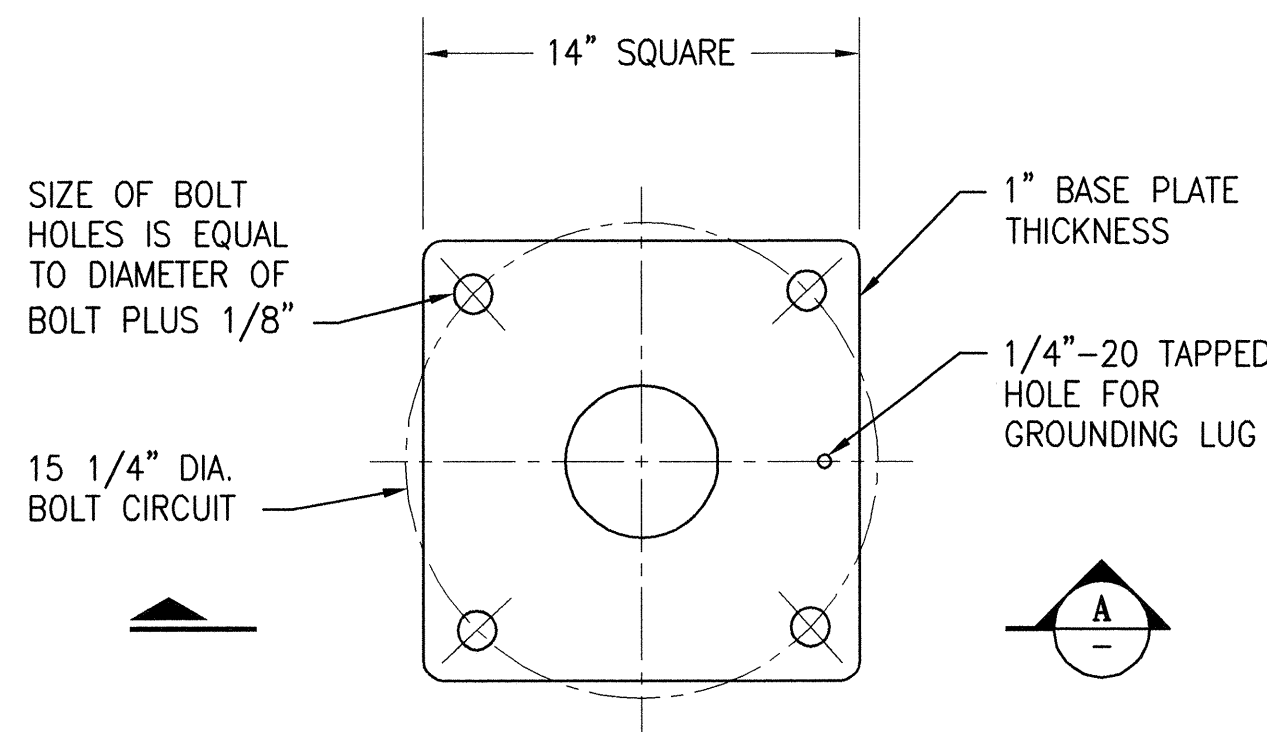


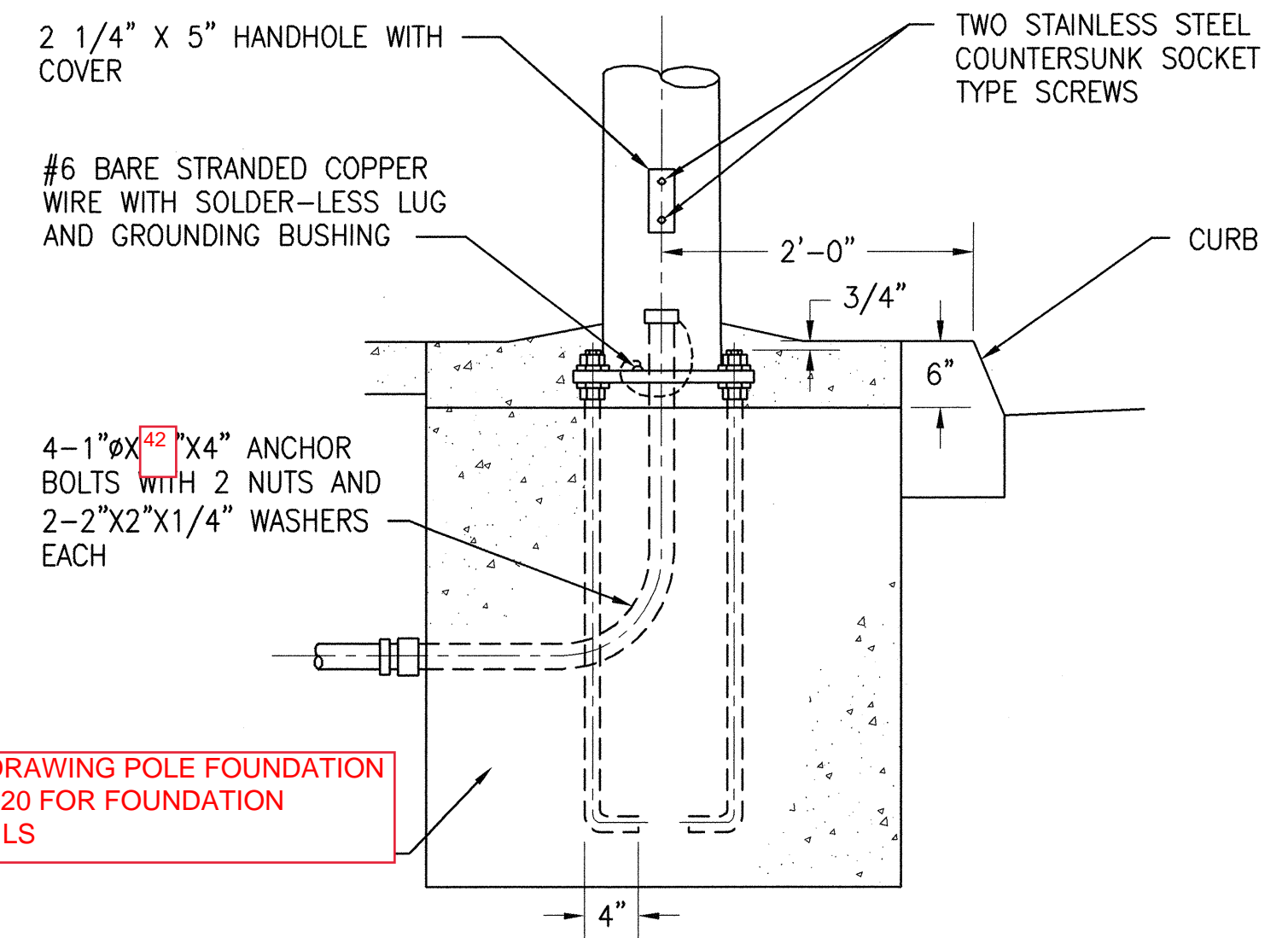
ELEVATION



DETAIL 1



POLE BASE DETAIL



SECTION A

SEE DRAWING POLE FOUNDATION 2-3-2020 FOR FOUNDATION DETAILS

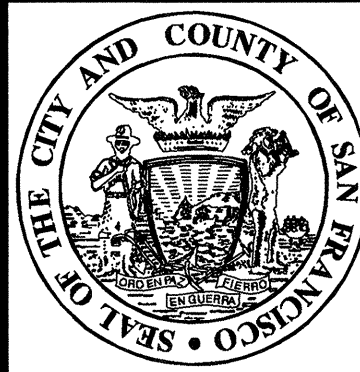
SHEET NOTES:

- HANDHOLE COVER SHALL BE CURVED TO CONFORM TO SHAFT.
- POLE-TOP BRACKET, ARM, POLE TOP, HANDHOLE COVER, AND ANCHOR BOLTS WITH NUTS AND WASHERS SHALL BE STEEL. HOT-DIP GALVANIZED AFTER FABRICATION.
- ALL SCREWS, NUTS, WASHERS AND FASTENINGS SHALL BE STAINLESS STEEL. LOCKWASHERS SHALL BE OF THE SHAKEPROOF TYPE WITH INTERNAL TEETH.
- THREADED RODS SHALL BE COATED WITH GRAPHITE GREASE BEFORE AND AFTER ASSEMBLY AND INSTALLATION OF POLE TOP BRACKET AND CAP.
- LOCATION AND ORIENTATION OF LUMINAIRE, IDENTIFICATION NUMBER, AND CONDUITS SHALL BE AS SHOWN ON CONTRACT PLANS.
- BRACKET ARMS SHALL BE ORIENTED PERPENDICULAR TO CENTERLINE OF ROADWAYS.

This Standard Plan was developed for use on public works projects in the City and County of San Francisco, and shall not be used without consulting a Registered Professional Engineer. The Department of Public Works reserves the right to make revisions to this Standard Plan at any time.

NO.	DATE	DESCRIPTION	BY	APP.
TABLE OF REVISIONS				
CHECK WITH TRACING TO SEE IF YOU HAVE LATEST REVISION				

REFERENCE INFORMATION & FILE NO. OF SURVEYS



BUREAU OF ENGINEERING
 DEPARTMENT OF PUBLIC WORKS
 CITY AND COUNTY OF SAN FRANCISCO

REVIEWED: BC	DATE: 01/2007	PLANS APPROVAL DATE: APRIL 30, 2007
DRAWN: RT	DATE: 01/2007	<i>James Chin</i> 4/27/07 SECTION MANAGER
CHECKED: TA	DATE: 01/2007	<i>James Chin</i> 4/30/07 DEPUTY BUREAU MANAGER
		<i>James Chin</i> BUREAU MANAGER

STANDARD PLAN
ELECTRICAL
STREET LIGHT ON HEAVY CONCRETE STANDARD
INSTALLATION DETAILS

OLD FILE NO.	A-32,051
FILE NO.	87,208
REV. NO.	