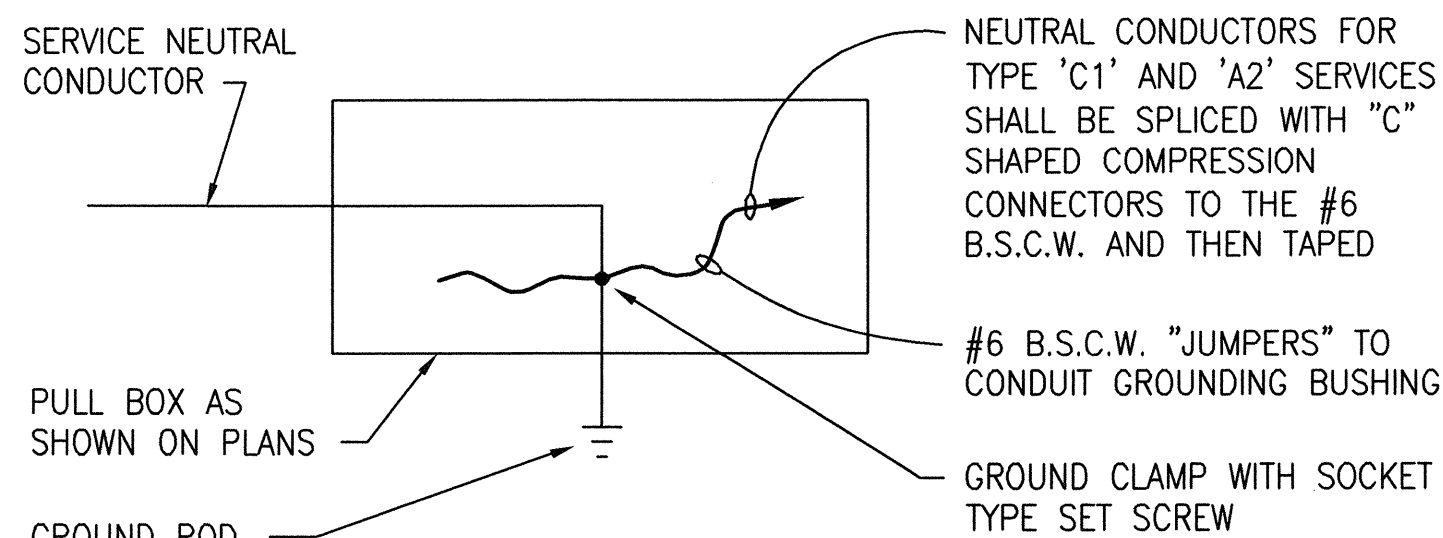
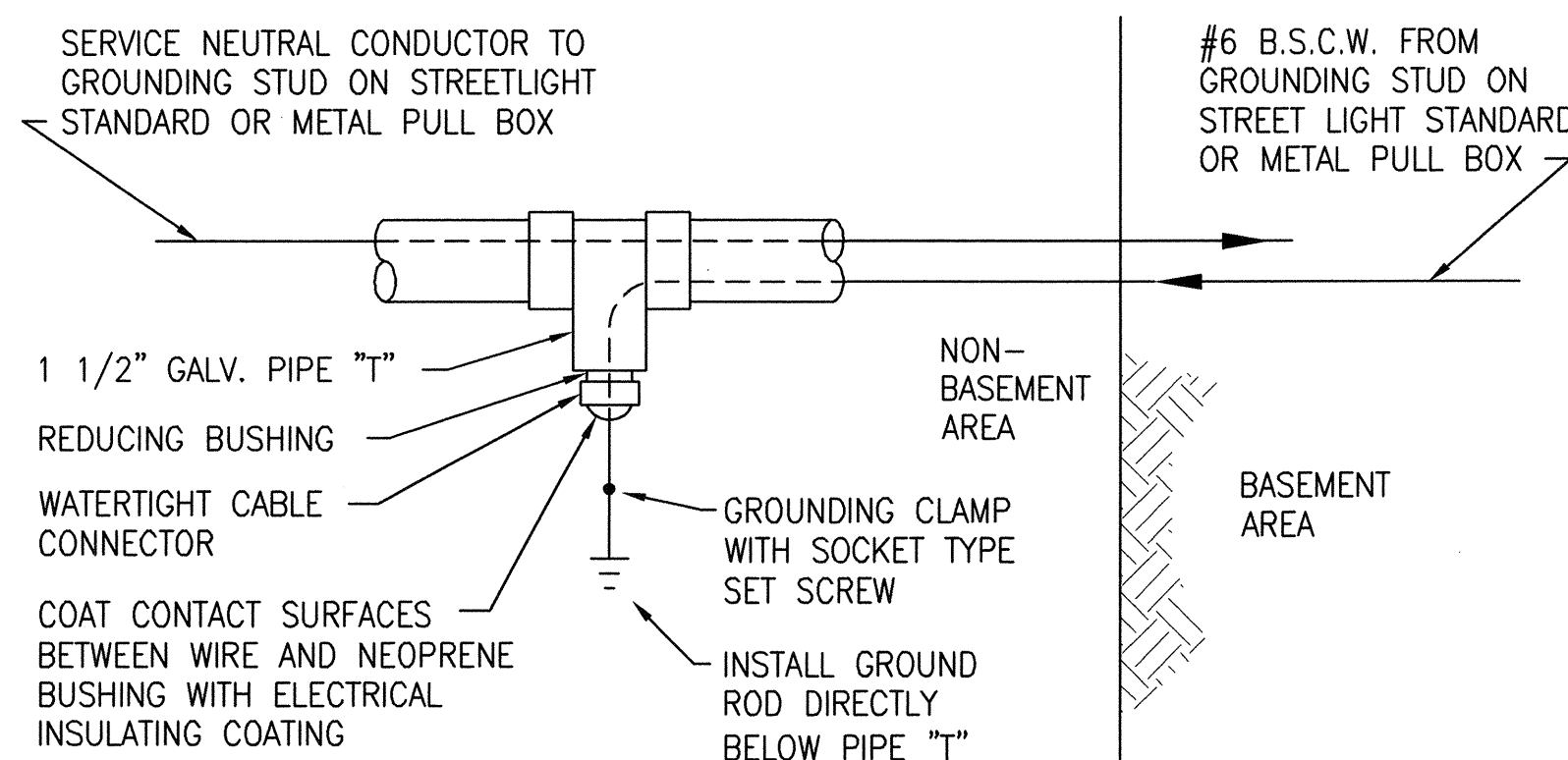


TYPE A



ELEVATION

TYPE B

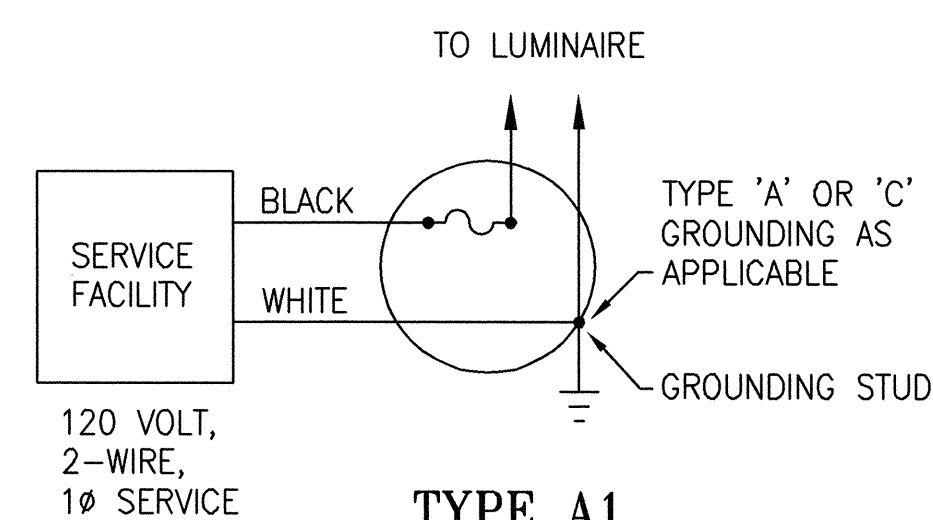


TYPE C

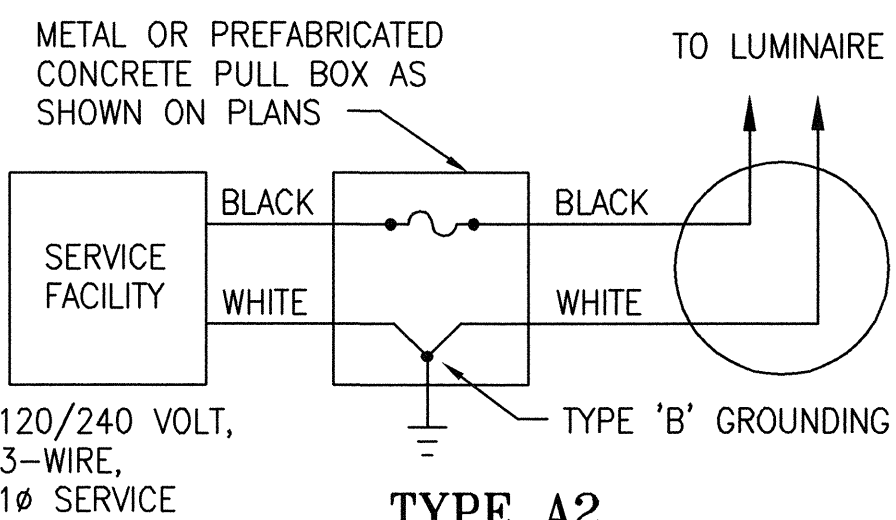
SERVICE GROUNDING NOTES:

1. THE SERVICE NEUTRAL CONDUCTOR SHALL BE CONTINUOUS FROM THE SERVICE CONNECTION TO THE GROUND STUD ON THE STANDARD OR GROUND ROD AS SHOWN IN THE TYPES OF SERVICE GROUND.
2. ALL STANDARDS SHALL HAVE GROUNDING STUDS OR LUGS FOR CONNECTION OF GROUNDING CONDUCTORS.
3. THE GROUND ROD SHALL BE A 5/8"Ø x 10 FT. LONG COPPERCLAD STEEL GROUND ROD. THE GROUND ROD SHALL BE FURNISHED WITH ADDITIONAL APPROVED WIRE CONNECTORS WHERE REQUIRED.
4. B.S.C.W. DENOTES BARE STRANDED COPPER WIRE.

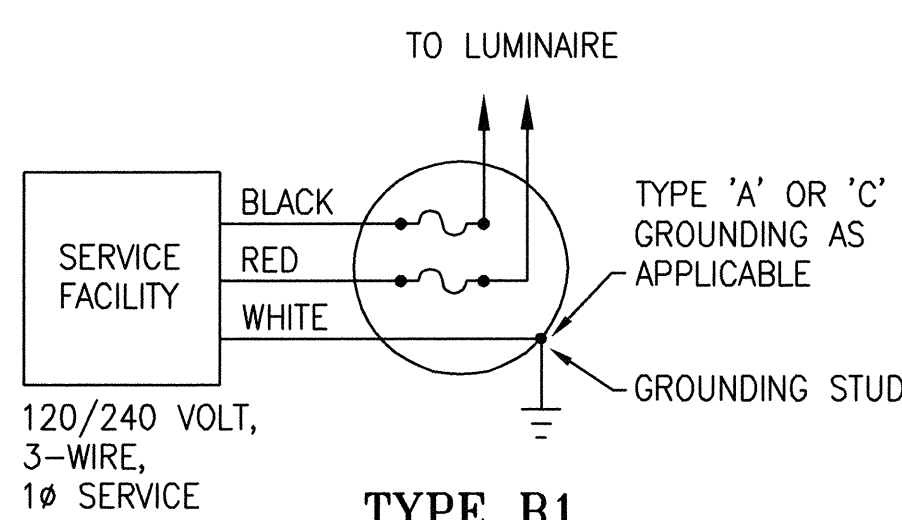
SERVICE GROUNDING DETAIL



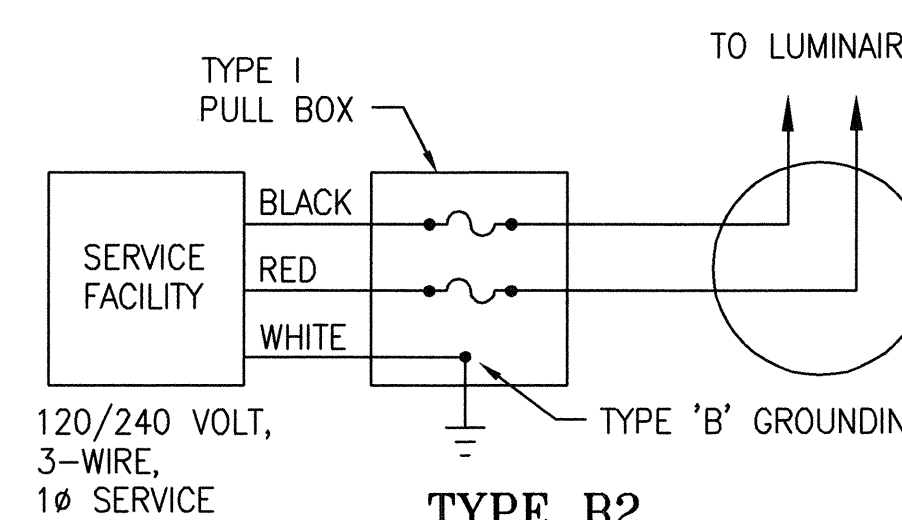
TYPE A1



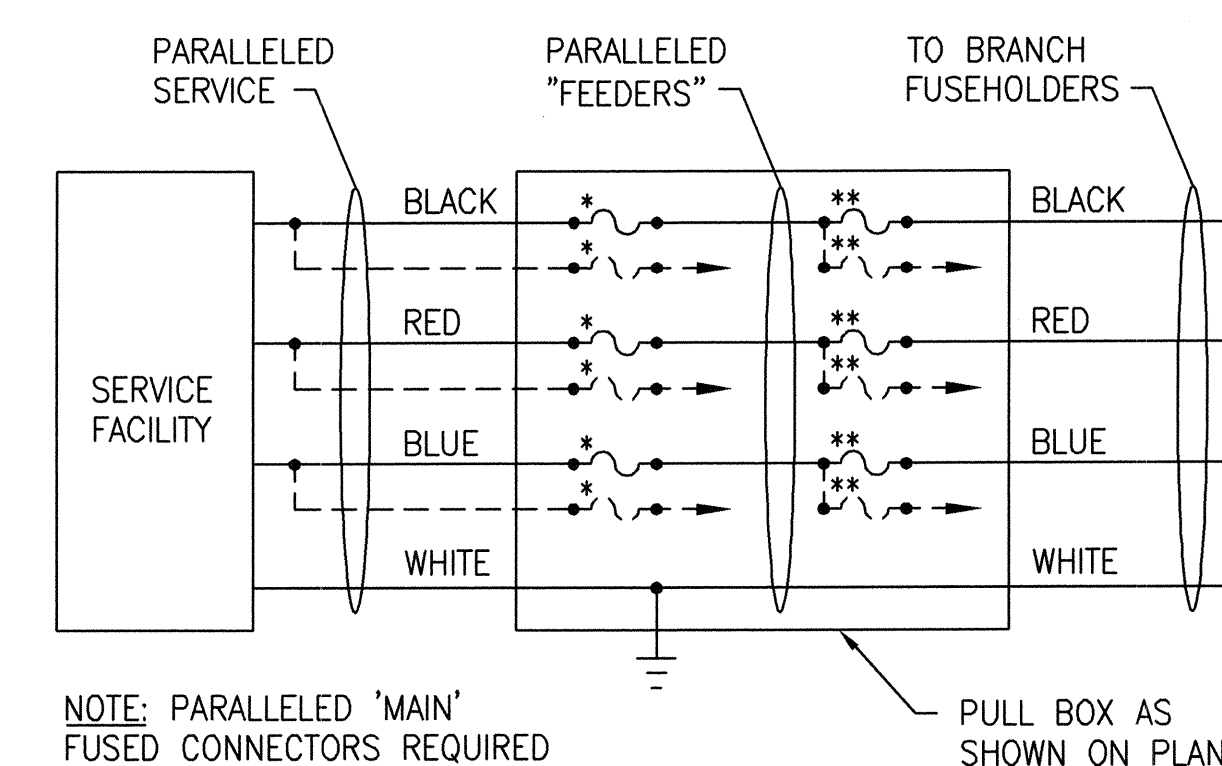
TYPE A2



TYPE B1



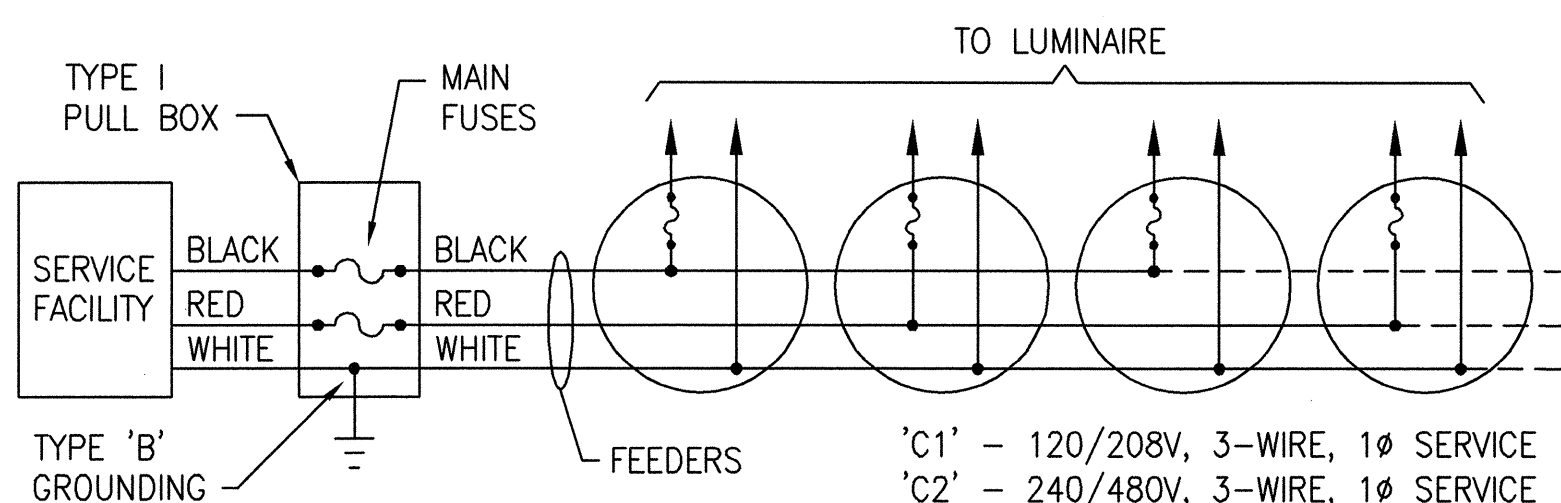
TYPE B2



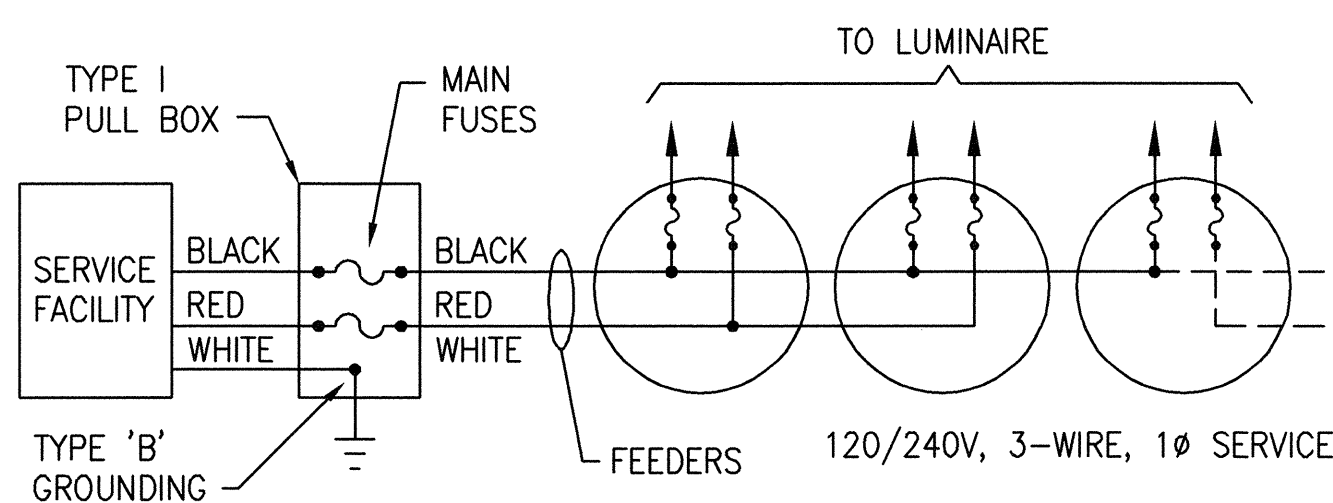
NOTE: PARALLELED 'MAIN' FUSED CONNECTORS REQUIRED FOR SERVICES OVER 70 AMP. ON FUSE HOLDER REQUIRED FOR EACH #8 & #6 'FEEDER'

SIMILAR FOR TYPES C1, C2, C3 AND D1

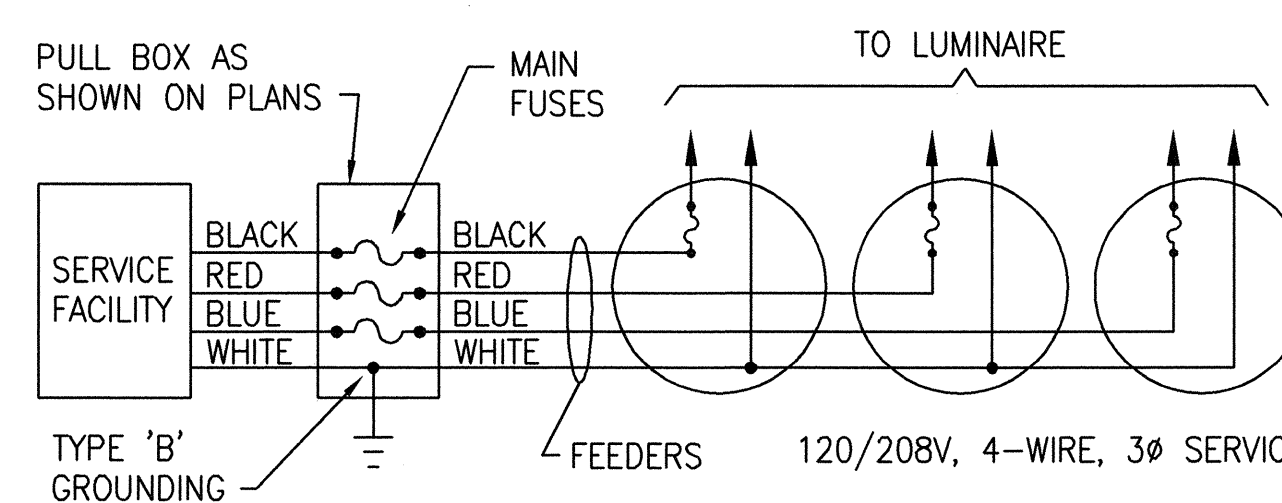
- * 100 AMP FUSES FOR SERVICE CONDUCTORS #1 AWG AND LARGER.
- ** 40 AMP FUSES FOR #8 AWG SERVICE OR "FEEDER" CONDUCTORS. 60 AMP FUSES FOR #6 AWG SERVICE OR "FEEDER" CONDUCTORS. ALSO SEE NOTE 4 BELOW.



TYPE C1 & TYPE C2



TYPE C3



TYPE D1

NOTE: LOADS SHALL BE SYMMETRICALLY CONNECTED BETWEEN UNGROUNDED CONDUCTORS

TYPICAL SERVICE, 'MAIN', 'FEEDER' AND BRANCH CIRCUITS

CIRCUIT PROTECTION REQUIREMENTS

(UNLESS OTHERWISE NOTED)

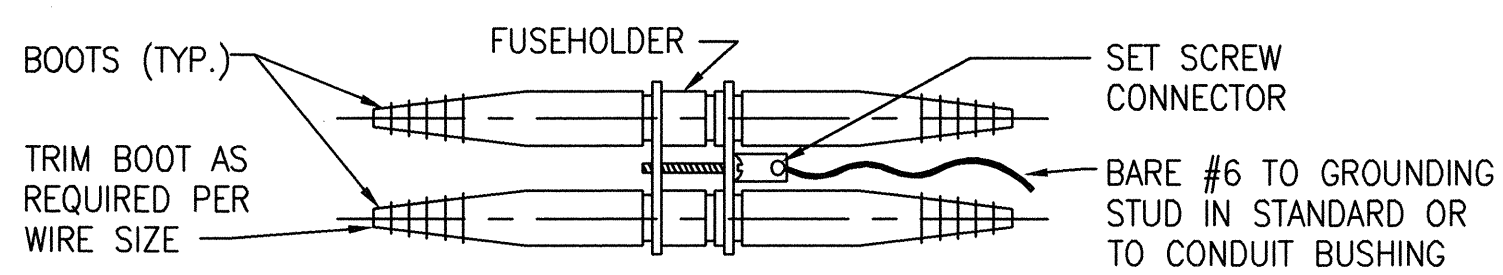
TYPE OF SERVICE	MAIN FUSE			BRANCH CIRCUITS															
	A1,A2 B1,B2	C1,C2,C3, D1,D2	C1,C2,C3, D1,D2	WATTAGE OF LUMINAIRE															
SERVICE CONDUIT	1 1/2"	1 1/2"	1 1/2"	ENERGIZING VOLTAGE OF LUMINAIRE															
EACH "FEEDER" CONDUCTOR	#8	#8	#6 NOTE 5	100	150/200	250	400	700	1000	120	240	120	240	120	240	120	240	120	240
TOTAL LOAD CURRENT EACH "FEEDER"	-	15A NOTE 4	15A-30A NOTE 4	CURRENT RATING OF FUSE (ALL FUSES SHALL BE RATED 600 VOLTS, 10,000 A.I.C.)															
MAIN FUSE (CURRENT RATING)	NONE REQ'D	40	60	10	10	10	10	15	10	20	10	30	15	50	25				

This Standard Plan was developed for use on public works projects in the City and County of San Francisco, and shall not be used without consulting a Registered Professional Engineer. The Department of Public Works reserves the right to make revisions to this Standard Plan at any time.



1-POLE WATERPROOF FUSEHOLDER

(FOR EACH UNGROUNDED CONDUCTOR IN TYPES A1, A2, C1, C2, D1 AND D2 SERVICES AND FOR EACH LOAD CONNECTED FOR 120 VOLT, 2-WIRE, 1Ø OPERATION OR FOR 240 VOLT, 2-WIRE, 1Ø OPERATION AND HAVING A GROUNDED CONDUCTOR)



2-POLE SIMULTANEOUS DISCONNECTING WATERPROOF FUSEHOLDER

(FOR UNGROUNDED CONDUCTORS IN TYPES B1, B2 AND C3 SERVICES AND FOR EACH LOAD CONNECTED TO THE TWO (2) UNGROUNDED CONDUCTORS ENERGIZED BY A 240 VOLT, 2-WIRE, 1Ø SOURCE)

"MAIN", "FEEDER" AND BRANCH FUSEHOLDER NOTES:

1. PROVIDE FUSEHOLDERS FOR FUSES AS SHOWN IN THE APPLICABLE DETAILS AND IN ACCORDANCE WITH THE SCHEDULE AS SHOWN ON THIS PLAN.
2. CONNECTING SLEEVES SHALL BE OF THE APPROPRIATE SIZE FOR THE CONDUCTORS SHOWN ON THE PLANS.
3. FUSEHOLDERS SHALL BE INSTALLED AS FOLLOWS (UNLESS OTHERWISE NOTED OR SPECIFIED):
 - A. "MAINS" AND INDIVIDUALLY SERVED STREET LIGHTS LOCATED LESS THAN 35 FT. FROM SERVICE LOCATION: IN PULL BOX NEAREST SERVICE BOX.
 - B. BRANCHES AND INDIVIDUALLY SERVED STREET LIGHTS LOCATED MORE THAN 35 FT. FROM SERVICE LOCATION: IN PULL BOX NEAREST STREET LIGHT STANDARD.
4. MAIN FUSES SHALL NOT BE LESS THAN TWO TIMES THE LARGEST BRANCH FUSE SIZE.
5. FUSE HOLDERS FOR SERVICE FUSES SHALL BE FURNISHED WITH "BREAKAWAY" FEATURE. A 3-POLE SIMULTANEOUS DISCONNECTING FUSE HOLDER SHALL BE FURNISHED WITH "MAIN" FUSES FOR 3Ø CIRCUITS. 2#8 CONDUCTOR "TAPS" REQUIRED FOR EACH LUMINAIRE.

NO.	DATE	DESCRIPTION	BY	APP.
TABLE OF REVISIONS				
CHECK WITH TRACING TO SEE IF YOU HAVE LATEST REVISION				

REFERENCE INFORMATION & FILE NO. OF SURVEYS



BUREAU OF ENGINEERING
DEPARTMENT OF PUBLIC WORKS
CITY AND COUNTY OF SAN FRANCISCO

REVIEWED:	DATE:
BC	01/2007
DRAWN:	DATE:
RT	01/2007
CHECKED:	DATE:
TA	01/2007

PLANS APPROVAL DATE:	APRIL 30, 2007
SECTION MANAGER:	<i>Daverat Roche</i> 4/27/07
DEPUTY BUREAU MANAGER:	<i>M</i> 4/30/07
BUREAU MANAGER:	<i>Jan</i>

STANDARD PLAN	OLD FILE NO.
ELECTRICAL	49,092
STREET LIGHT SERVICE AND CIRCUIT REQUIREMENTS	FILE NO.
	87,203
	REV. NO.

Drawing Path: V:\0966J Standard Plans & Specs Update\2-Plans\FINAL\ELE-03.dwg, Login: carantos
 Plot Time: Fri, 27 Apr 2007 - 5:46pm
 Dimension Scale: 40
 Model Units: Feet
 Xrefs: V:\0966J Standard Plans & Specs Update\2-Plans\Final\Block BOE STD Title Block.dwg
 V:\0966J Standard Plans & Specs Update\2-Plans\FINAL\ELE\discclaimer-arc.dwg